

# Premium Tilt & Turns

## Section Identification Guide



DURATION  
WINDOWS



# Contents

---

## **Profiles**

Outer Frames	3 - 4
Sash & Beads	5
Transoms & Mullions	6
Extensions	7
Corner Posts	8
Circular Bay Poles	9
Bay Poles	10 - 11
Couplers	12 - 14
Cills	15 - 16

## **Head, Jamb and Cill Combinations**

Using Frame AW604	17
Using Frame AW605	18
Using Frame AW622	19

## **Transoms and Mullion Combinations**

Fixed Next To Opener	20
Opener Next To Opener	21

## **Trickle Vents and Extensions**

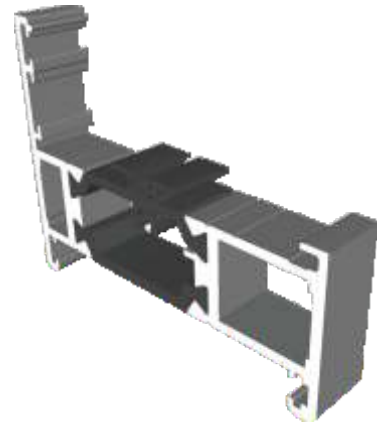
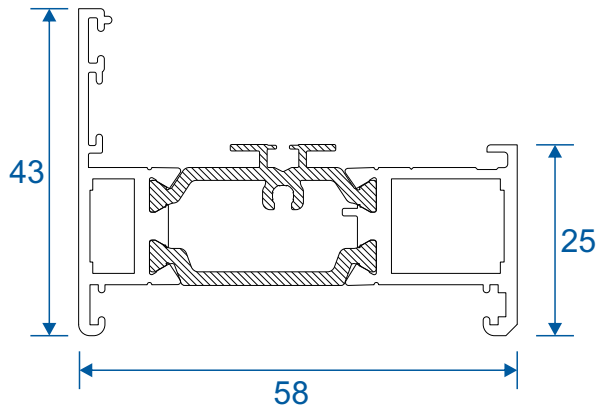
Deep Heads	22
Extensions	23

## **Posts, Poles and Couplers**

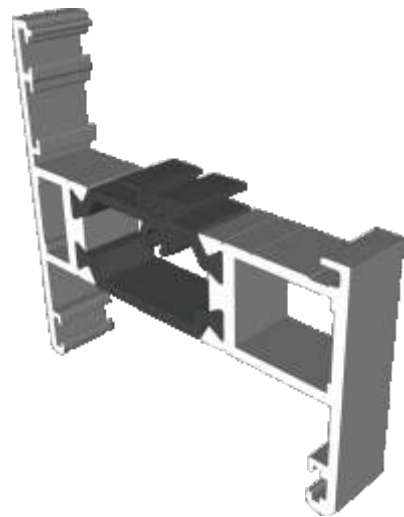
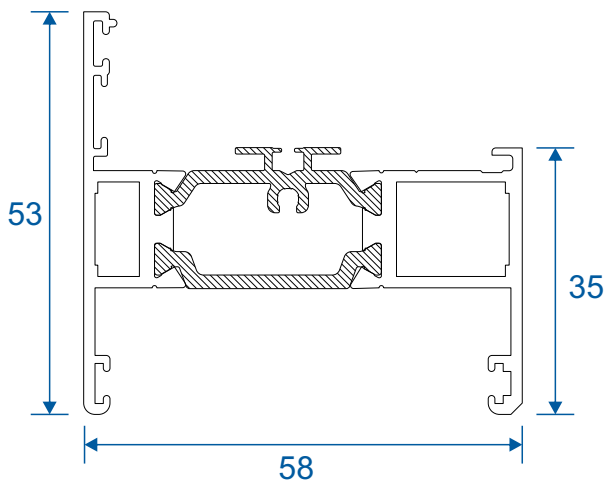
90° Corner Posts	24
Circular Posts	25
Bay Poles	26 - 27
Couplers	28 - 29

# Outer Frames

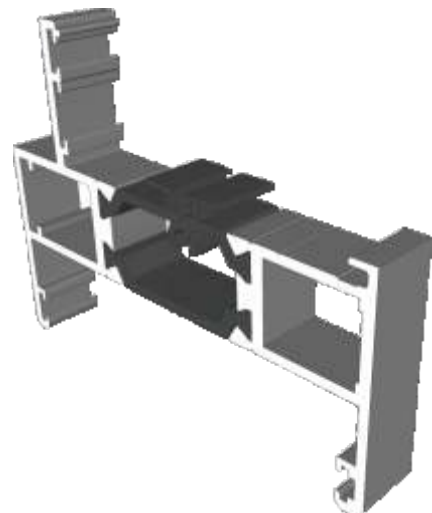
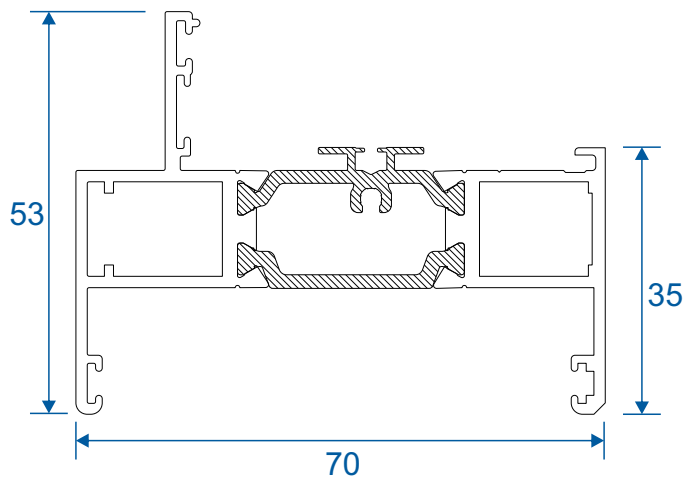
## AW604 - Slim Equal Leg



## AW605 - Standard Equal Leg

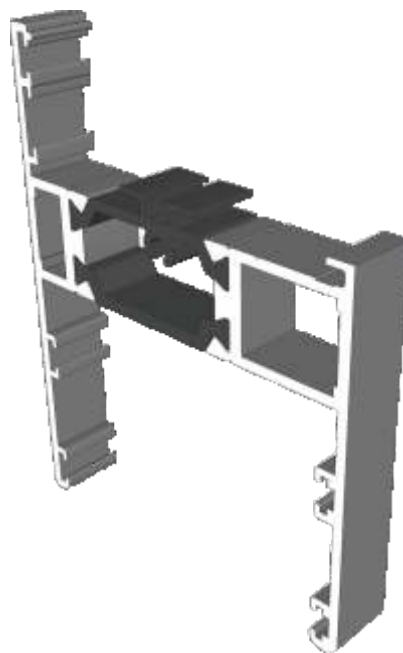
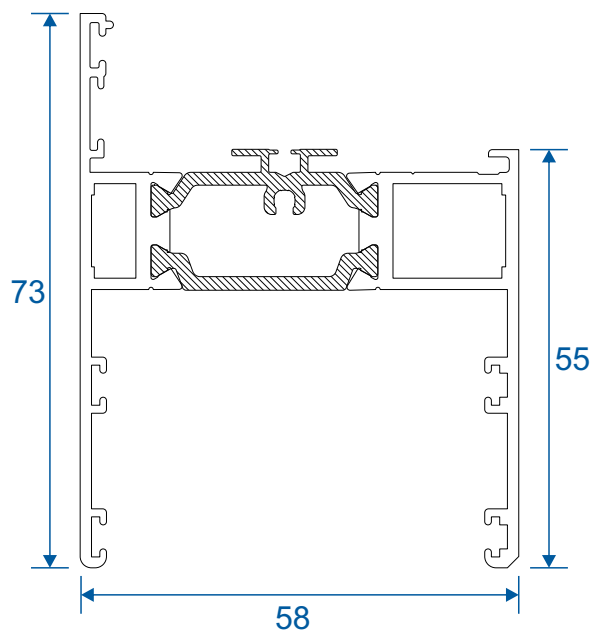


## AW622 - Standard Direct Fix

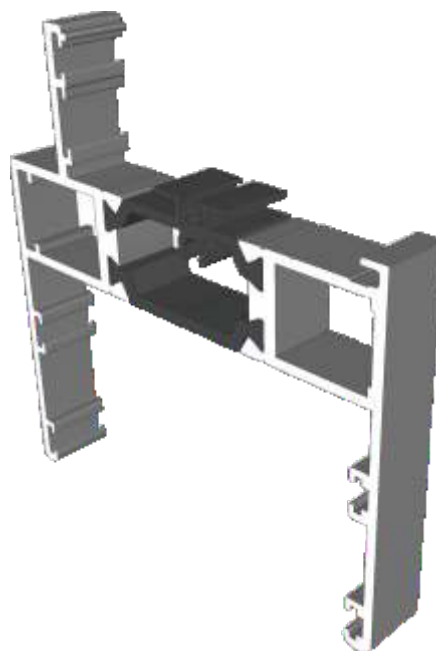
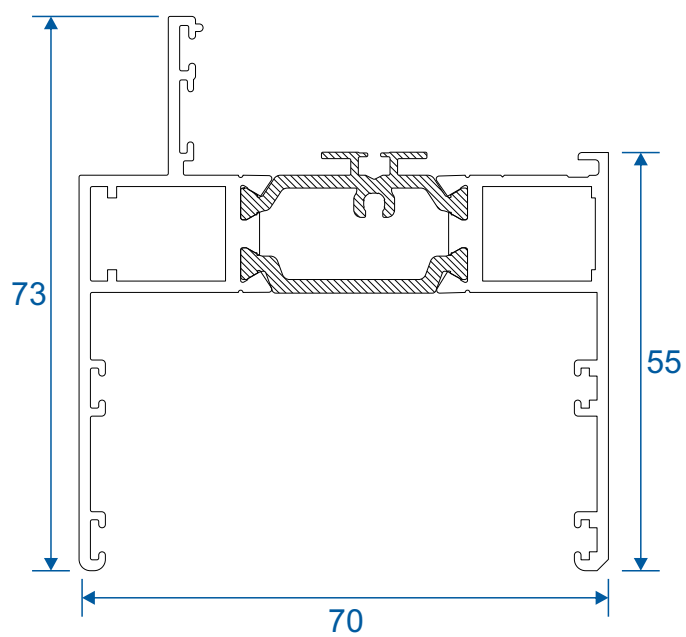


# Outer Frames

## AW608 - Deep Equal Leg

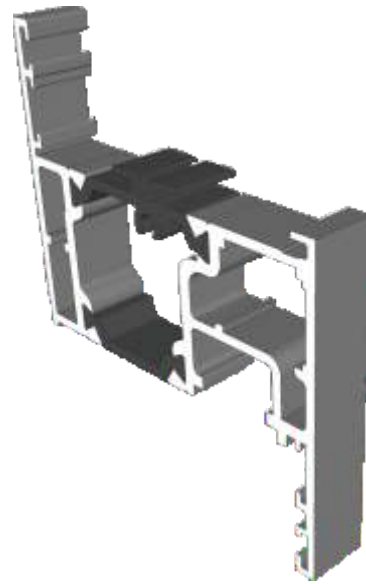
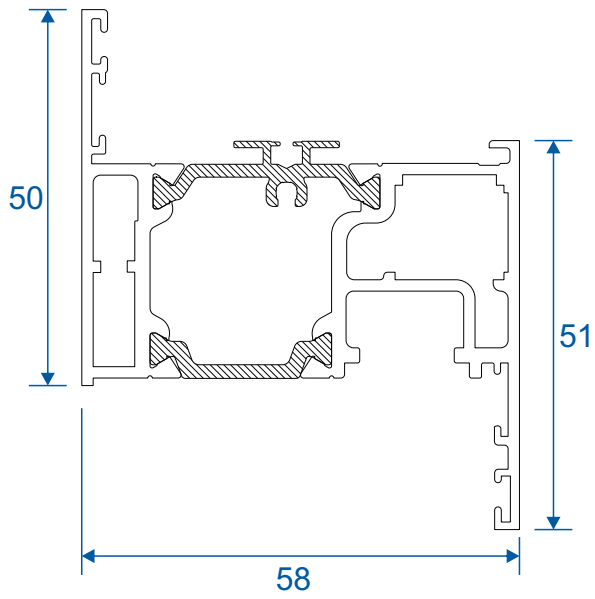


## AW623 - Deep Direct Fix

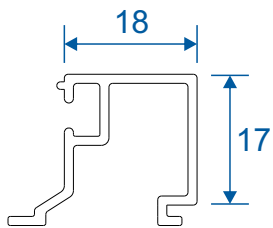


# Sash & Beads

## AW621 - Sash

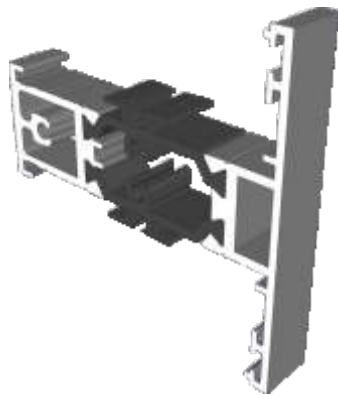
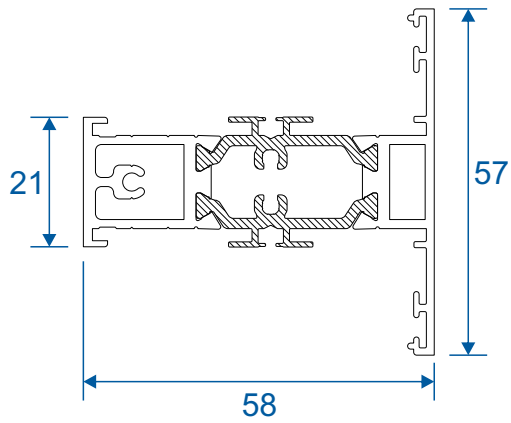


## AW660 - 28mm Bead

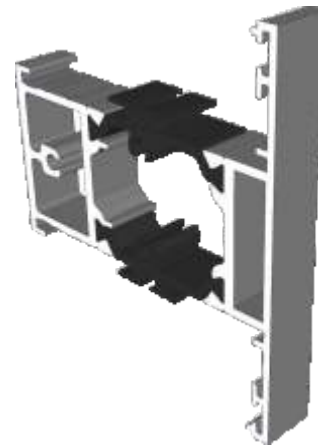
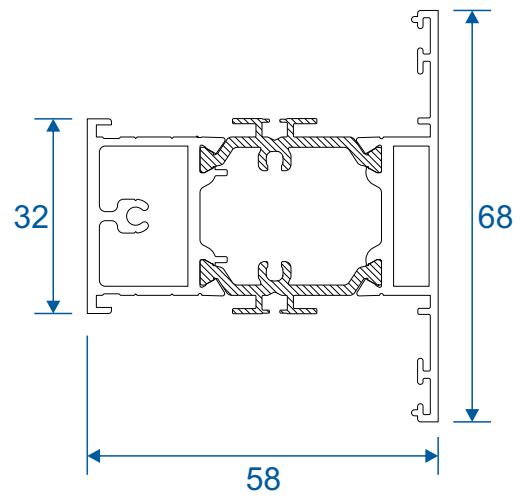


# Transoms & Mullions

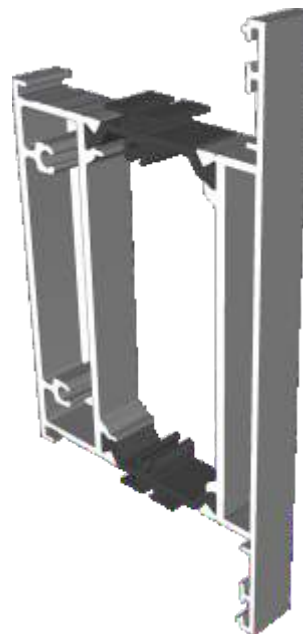
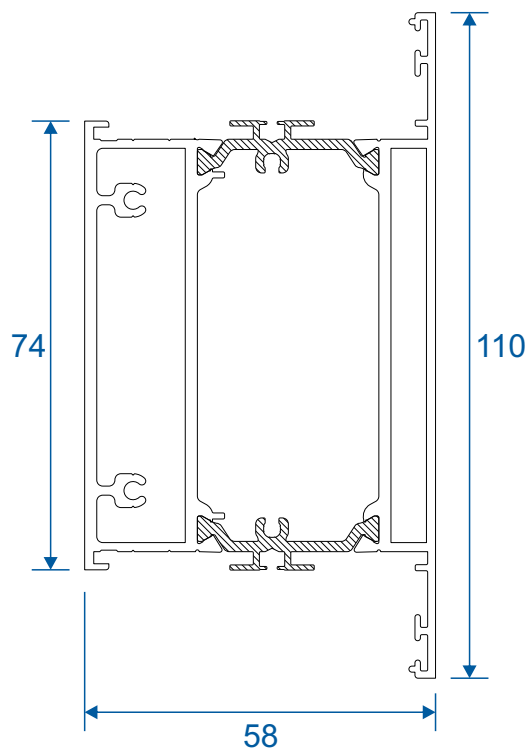
**AW632 - Slim Flat Transom**



**AW634 - Wide Flat Transom**

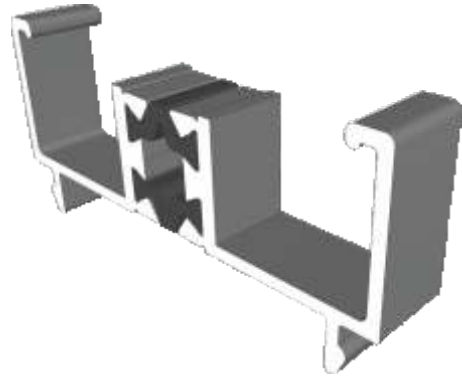
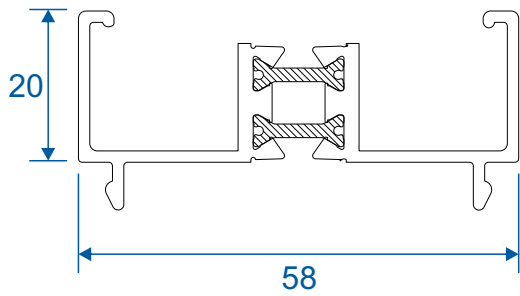


**AW635 - Large Flat Transom**

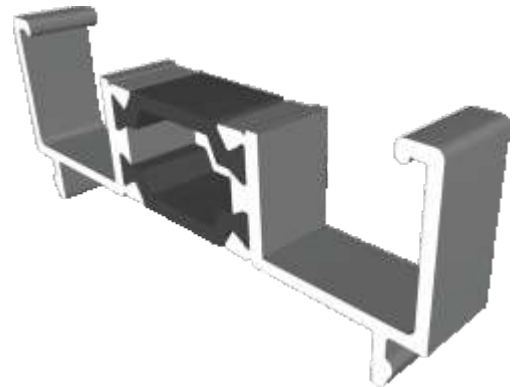
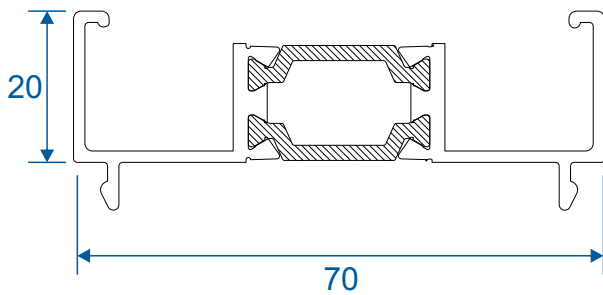


# Extensions

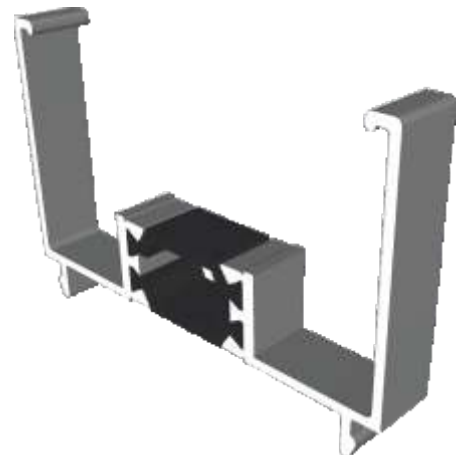
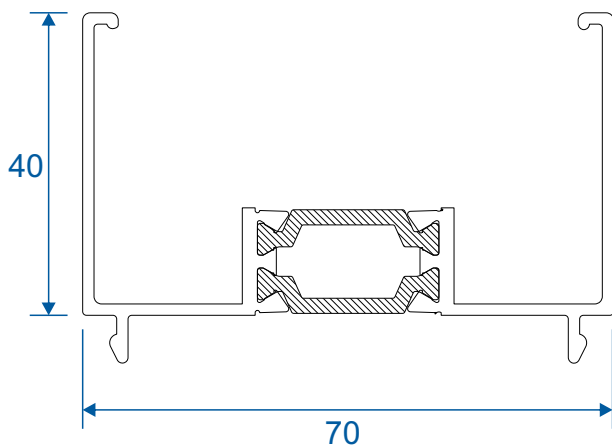
## AW725 - 20mm Extension For 58mm Frames



## AW724 - 20mm Extension For 70mm Frames

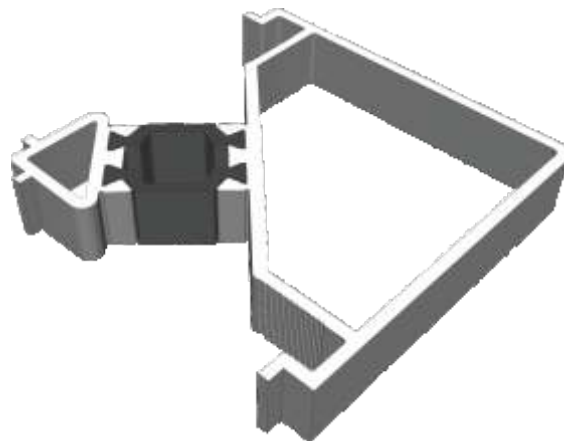
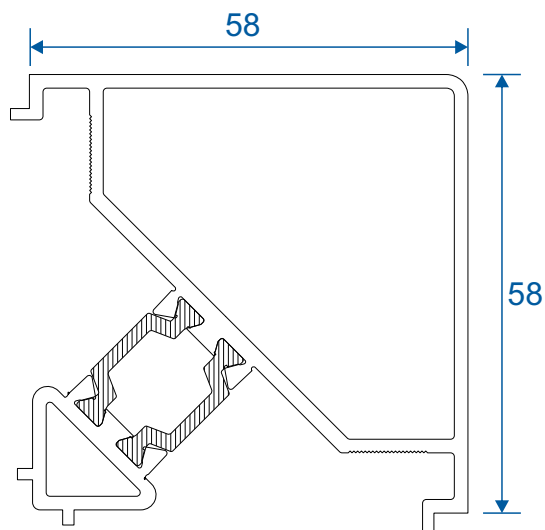


## AW728 - 40mm Extension For 70mm Frames

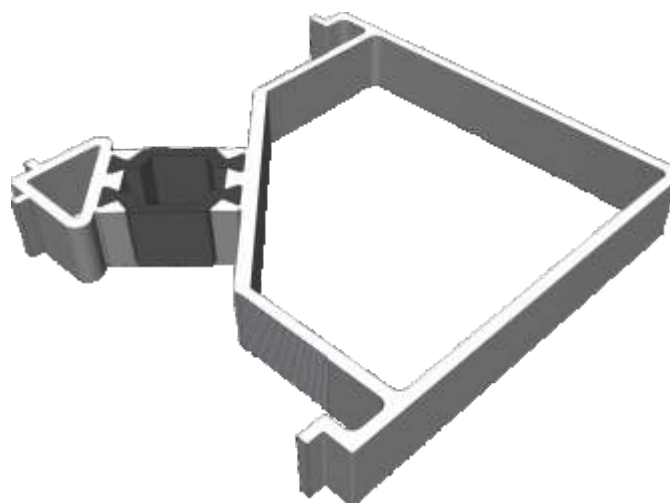
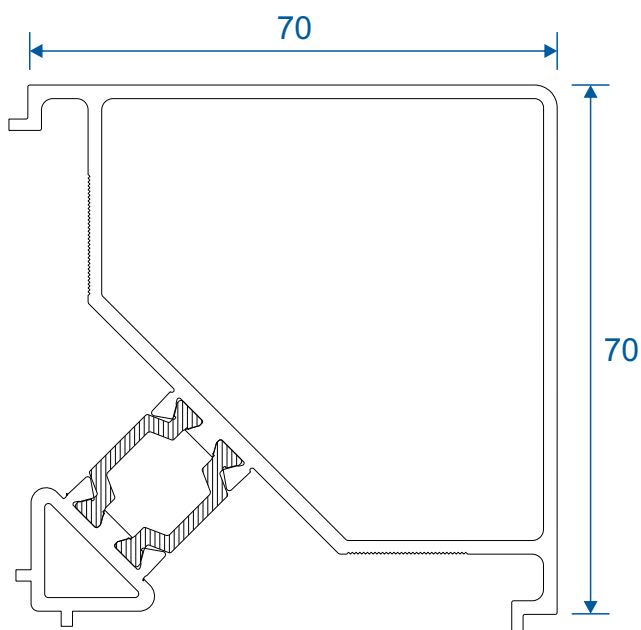


# Corner Posts

## AW721 - 90 Degree Post For 58mm Frame



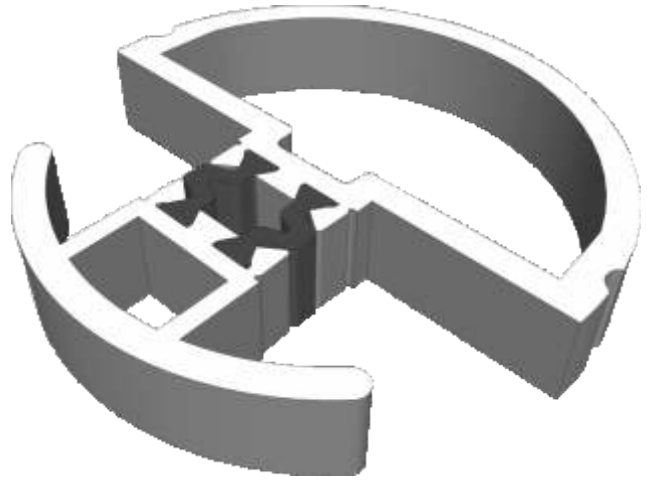
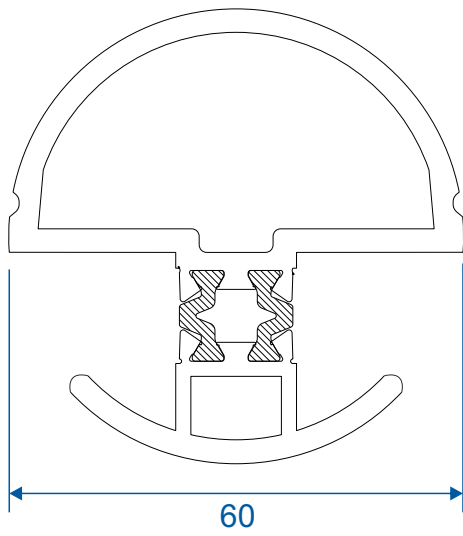
## AW720 - 90 Degree Post For 70mm Frame



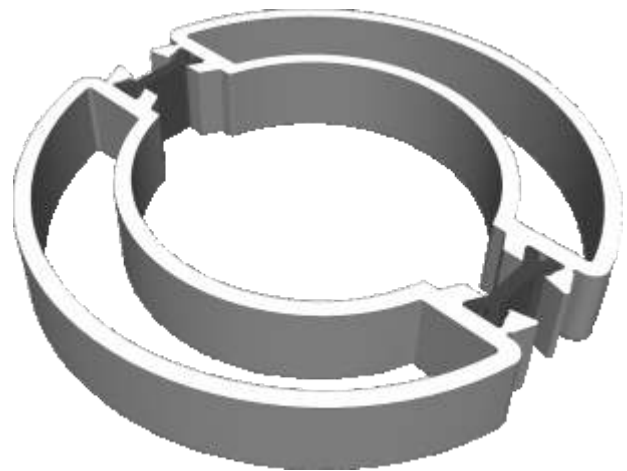
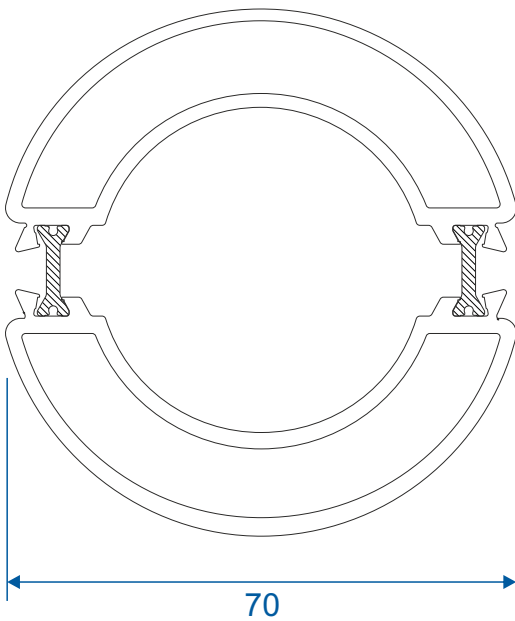


# Circular Bay Poles

## AW712 - 60mm Circular Pole

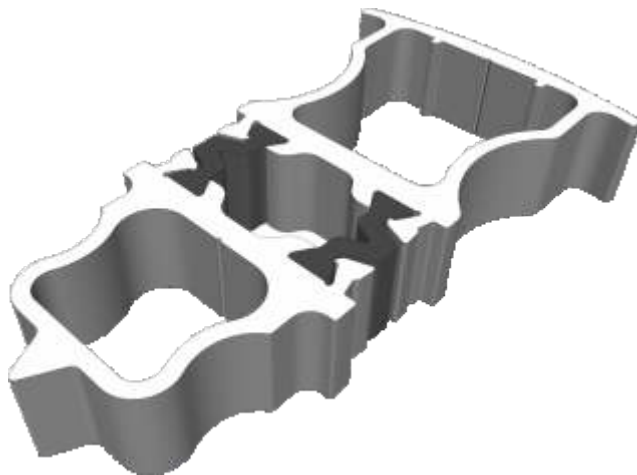
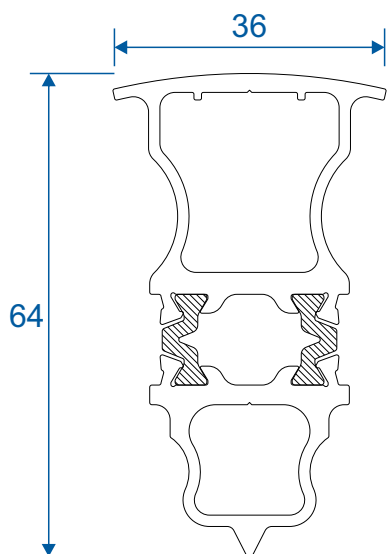


## AW722 - 70mm Circular Pole

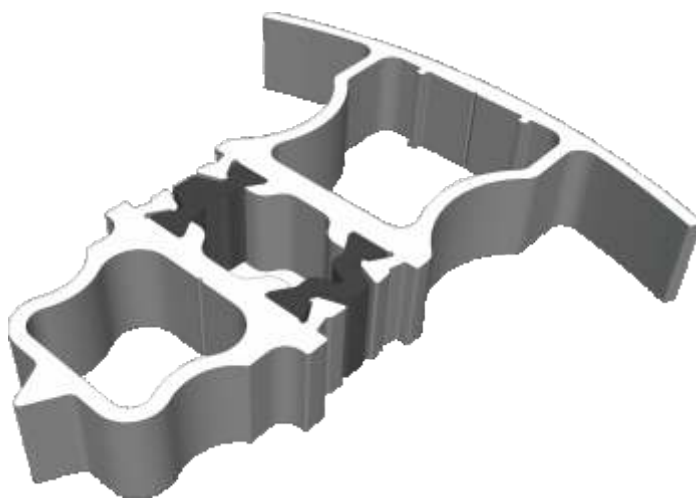
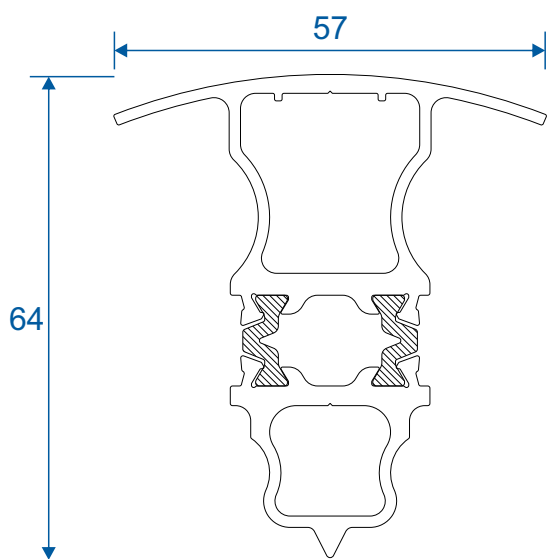


# Bay Poles

## AW718 - 160° to 180° For 70mm Frame

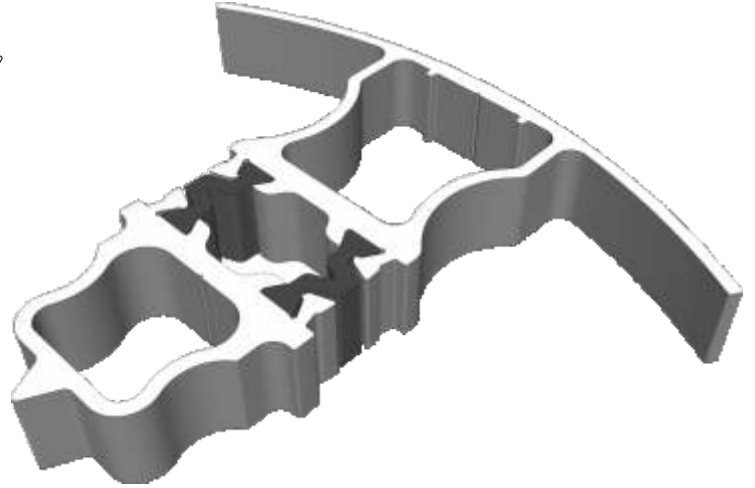
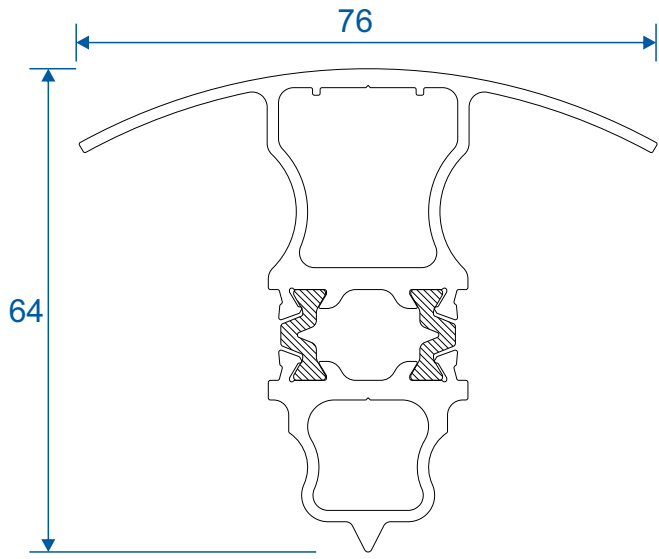


## AW717 - 140° to 160° For 70mm Frame

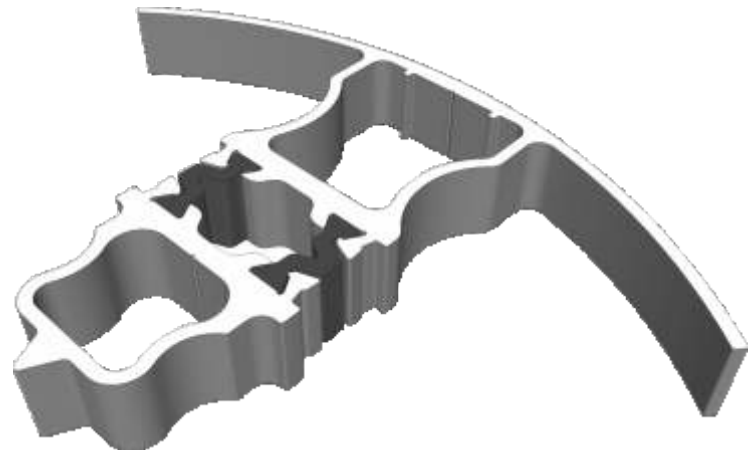
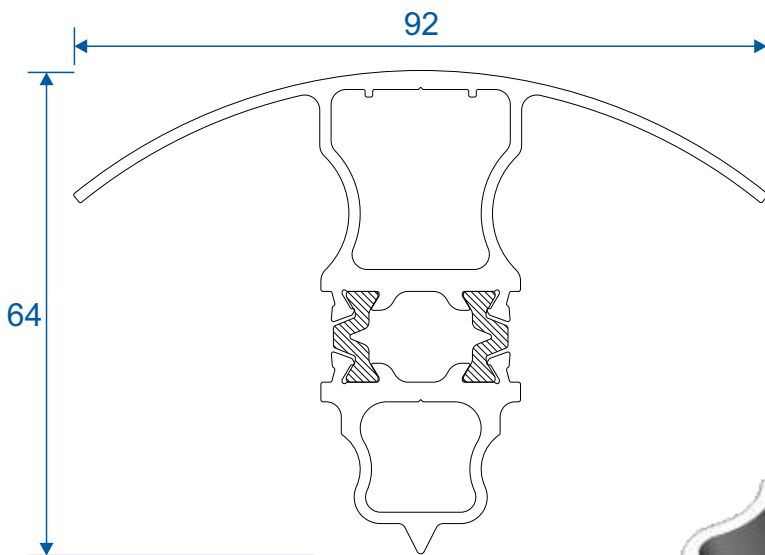


# Bay Poles

AW716 - 120° to 140° For 70mm Frame

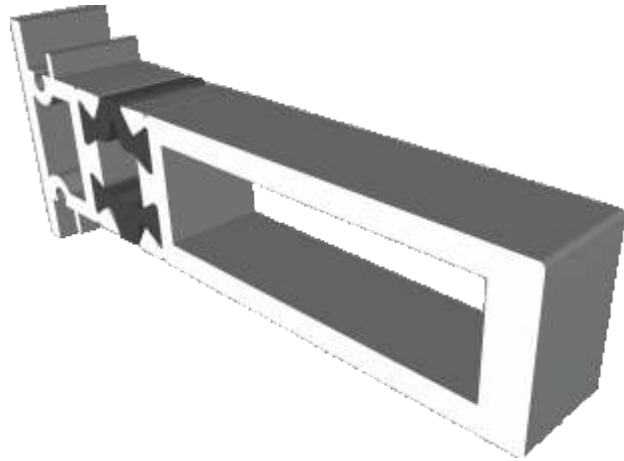
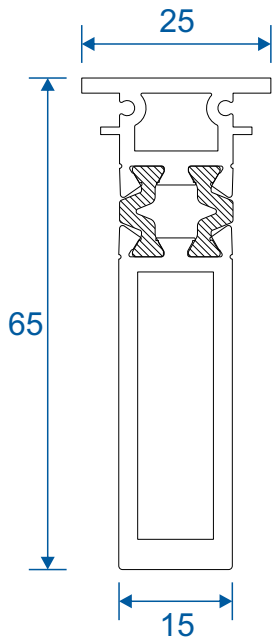


AW715 - 100° to 120° For 70mm Frame

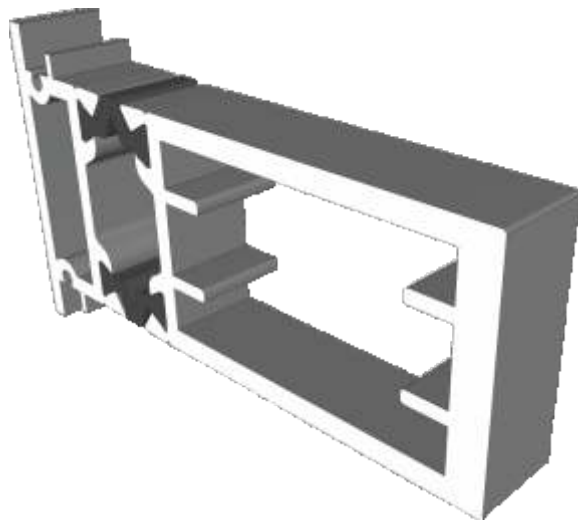
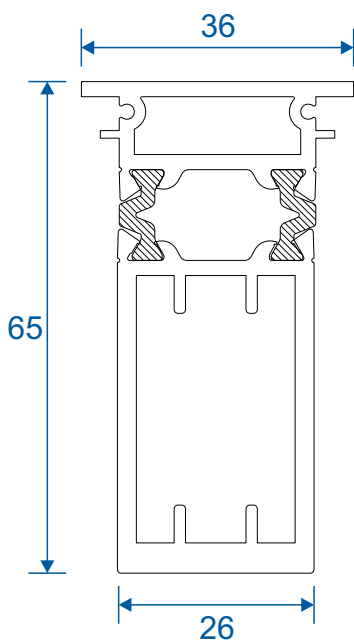


# Couplers

## AW703 - 15mm Coupler For 58mm Frame

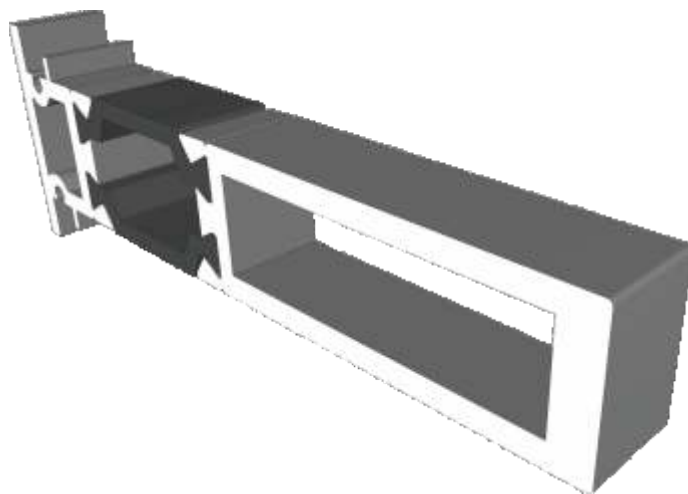
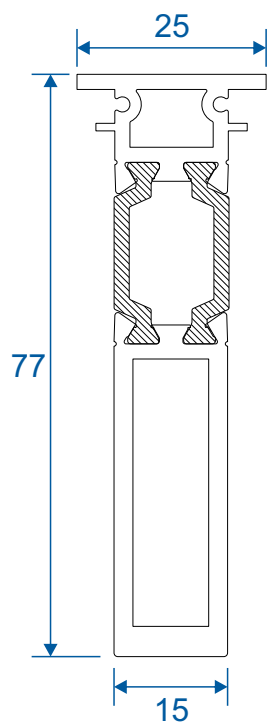


## AW706 - 26mm Coupler For 58mm Frame

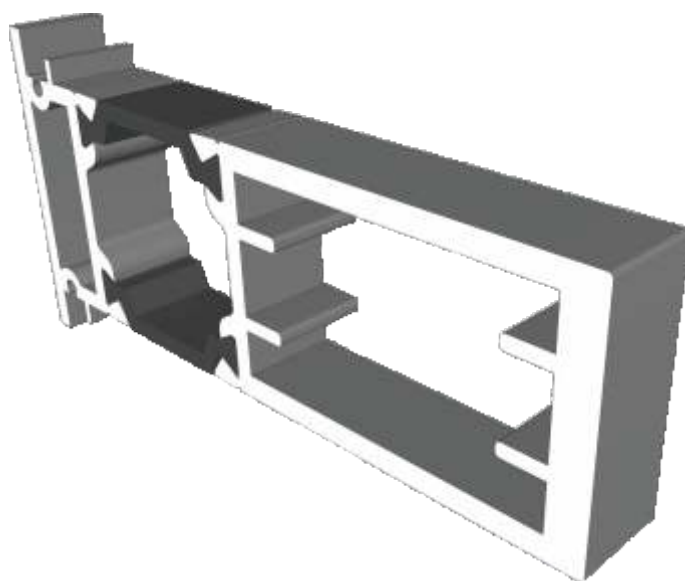
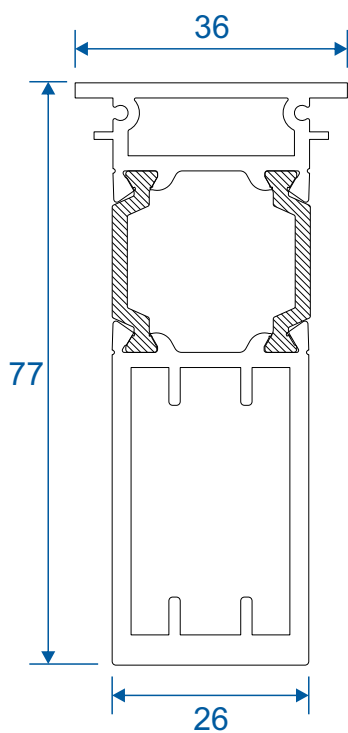


# Couplers

## AW702 - 15mm Coupler For 70mm Frame

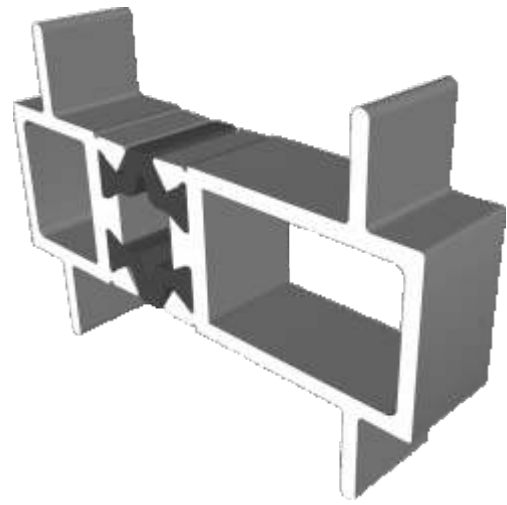
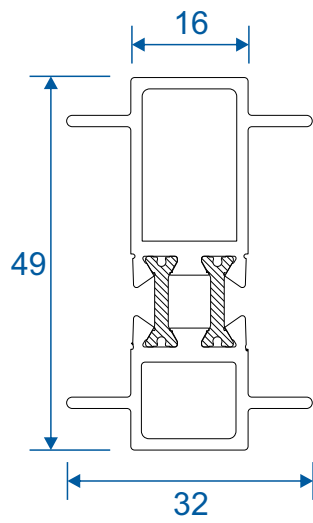


## AW705 - 25mm Coupler For 70mm Frame

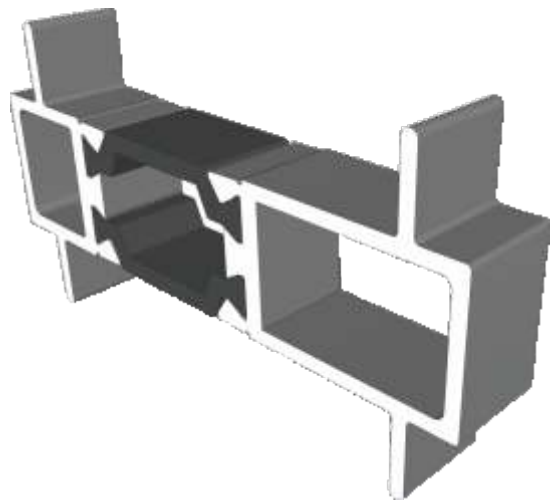
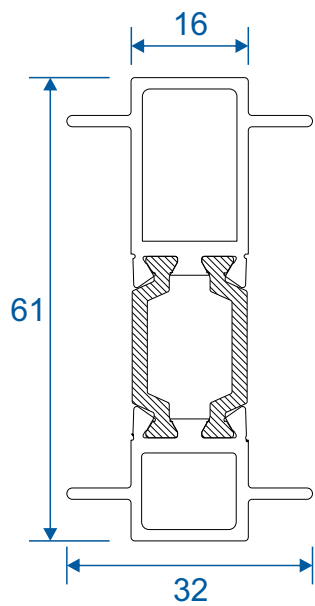


# Couplers

## AW710 - Hidden Coupler For 58mm Frame

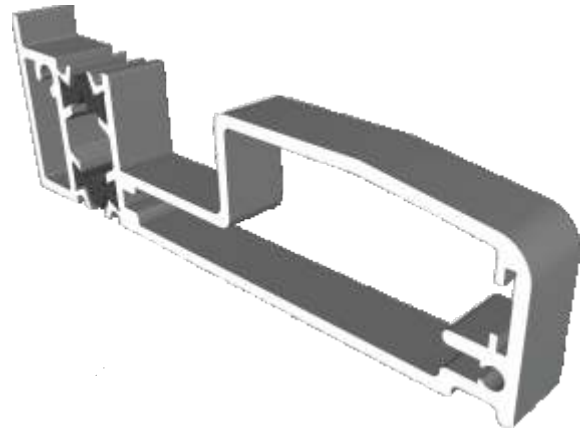
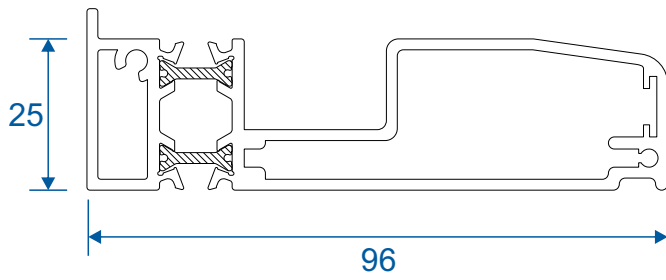


## AW709 - Hidden Coupler For 70mm Frame

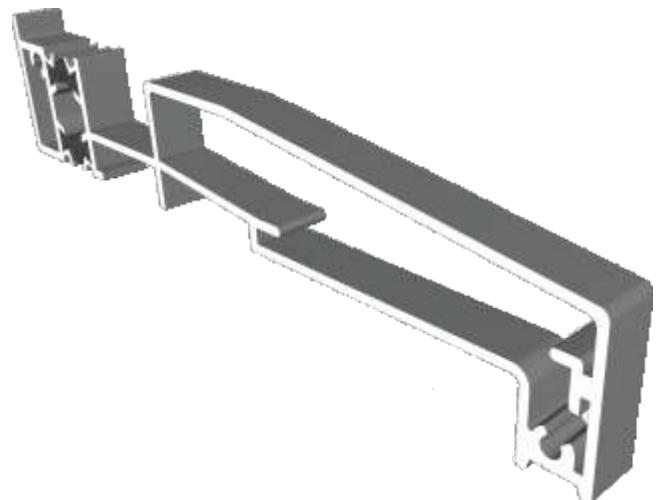
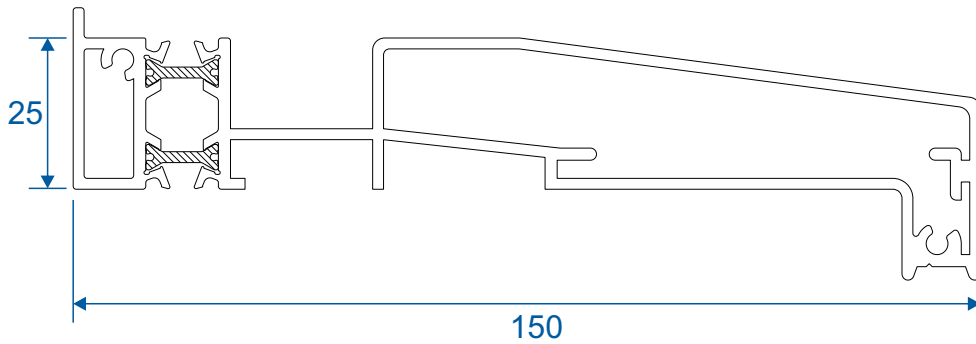


# Cills

## AW570 - 96mm Projection Cill

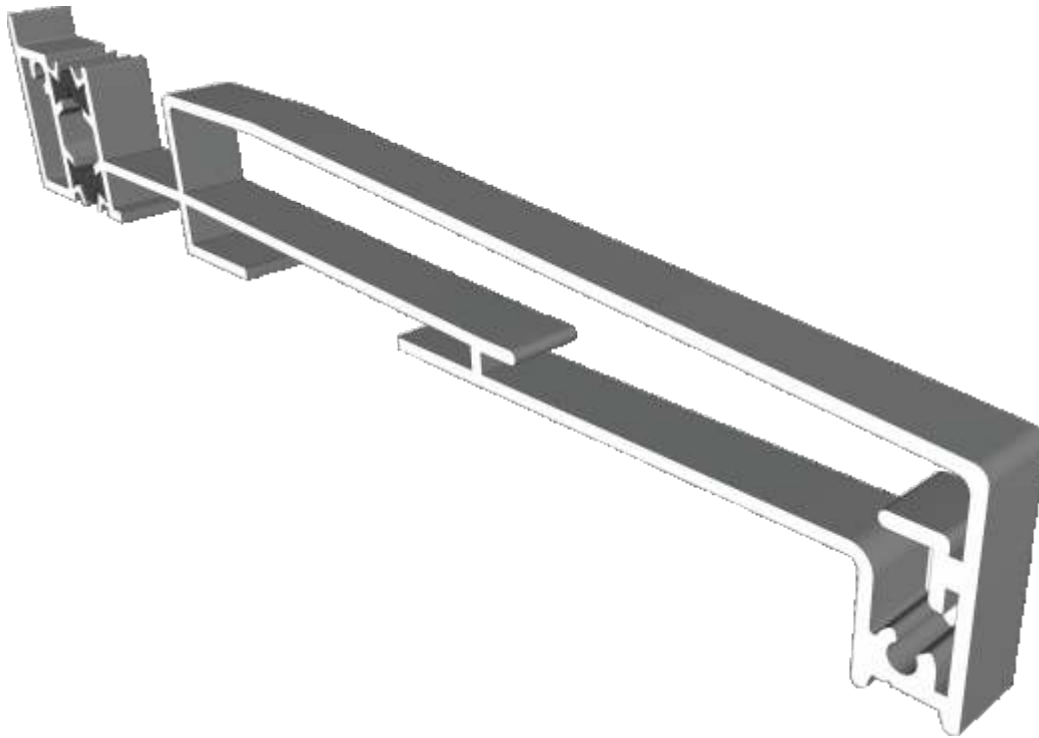
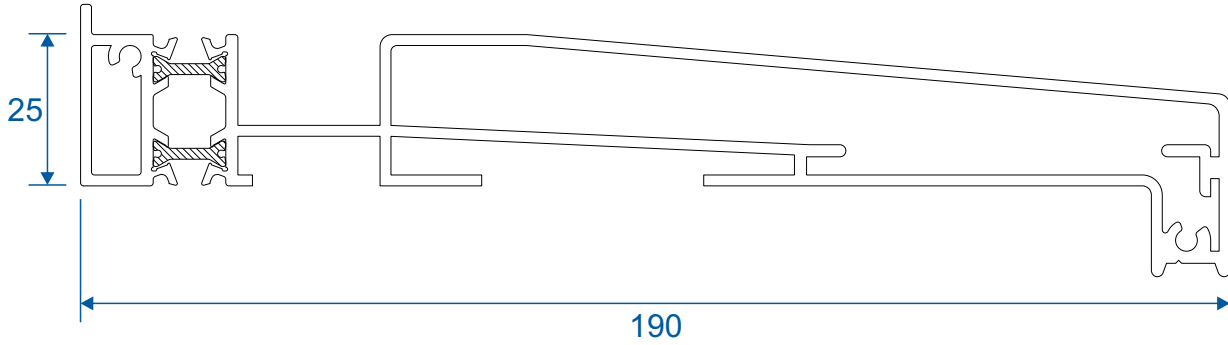


## AW542 - 150mm Projection Cill



# Cills

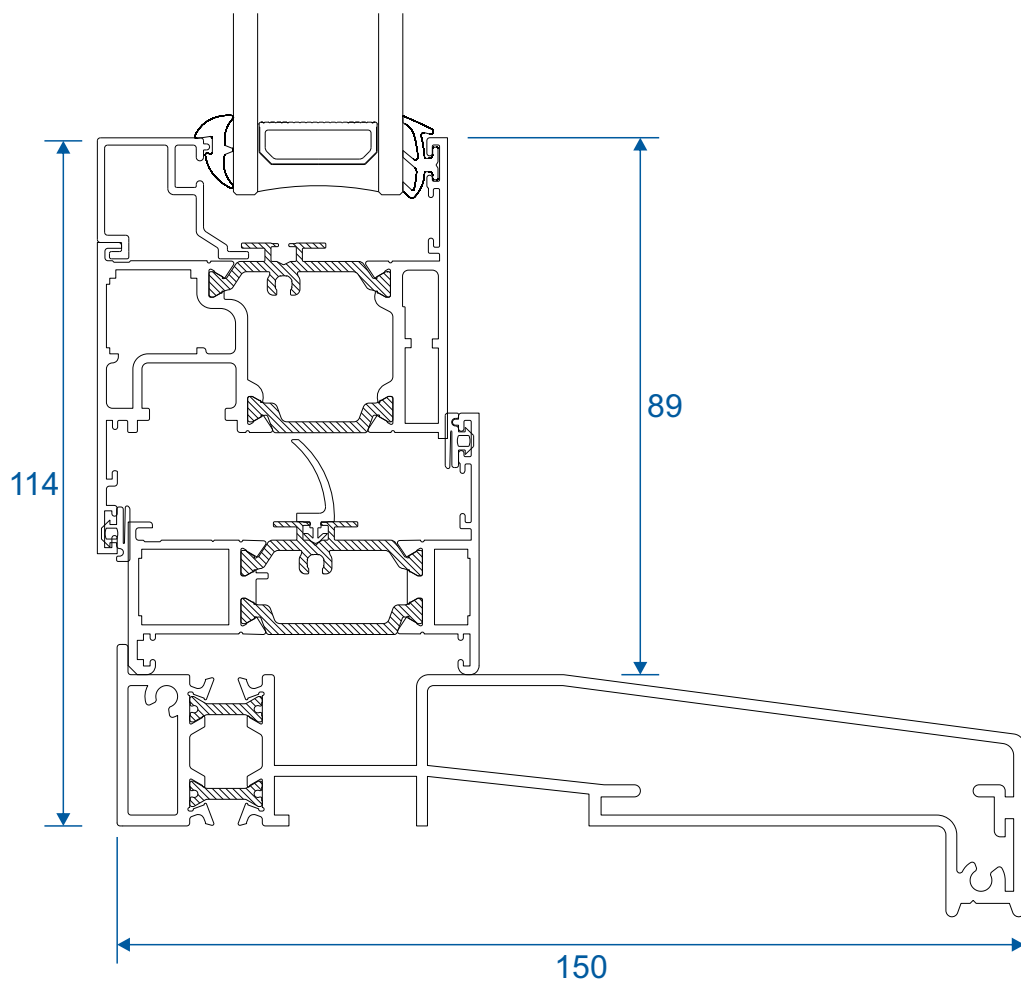
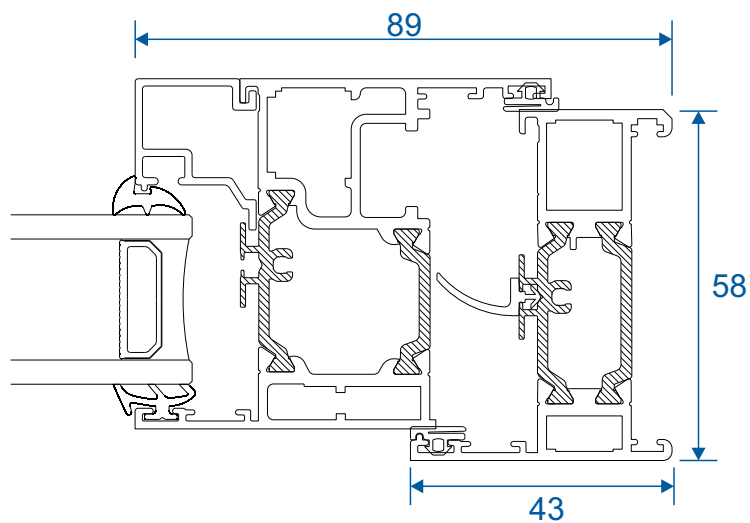
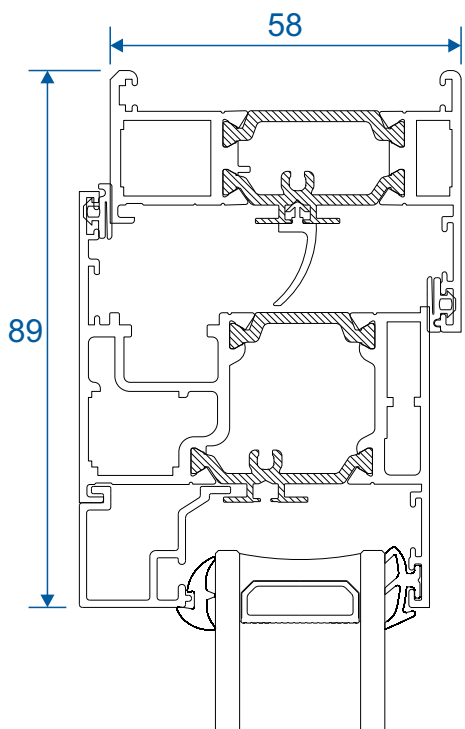
## AW544 - 190mm Projection Cill





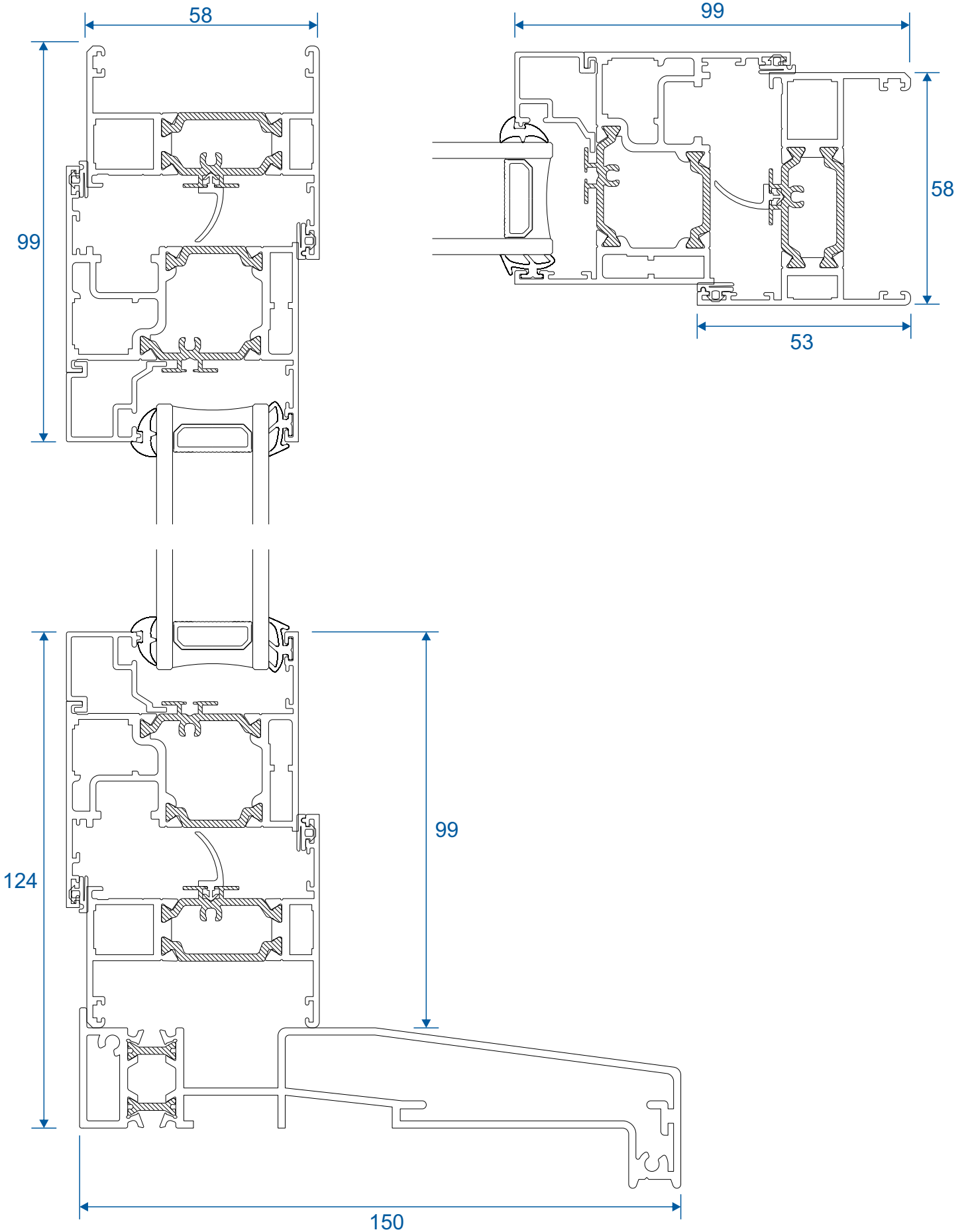
# Using Frame AW604

## Head, Jamb & Cill



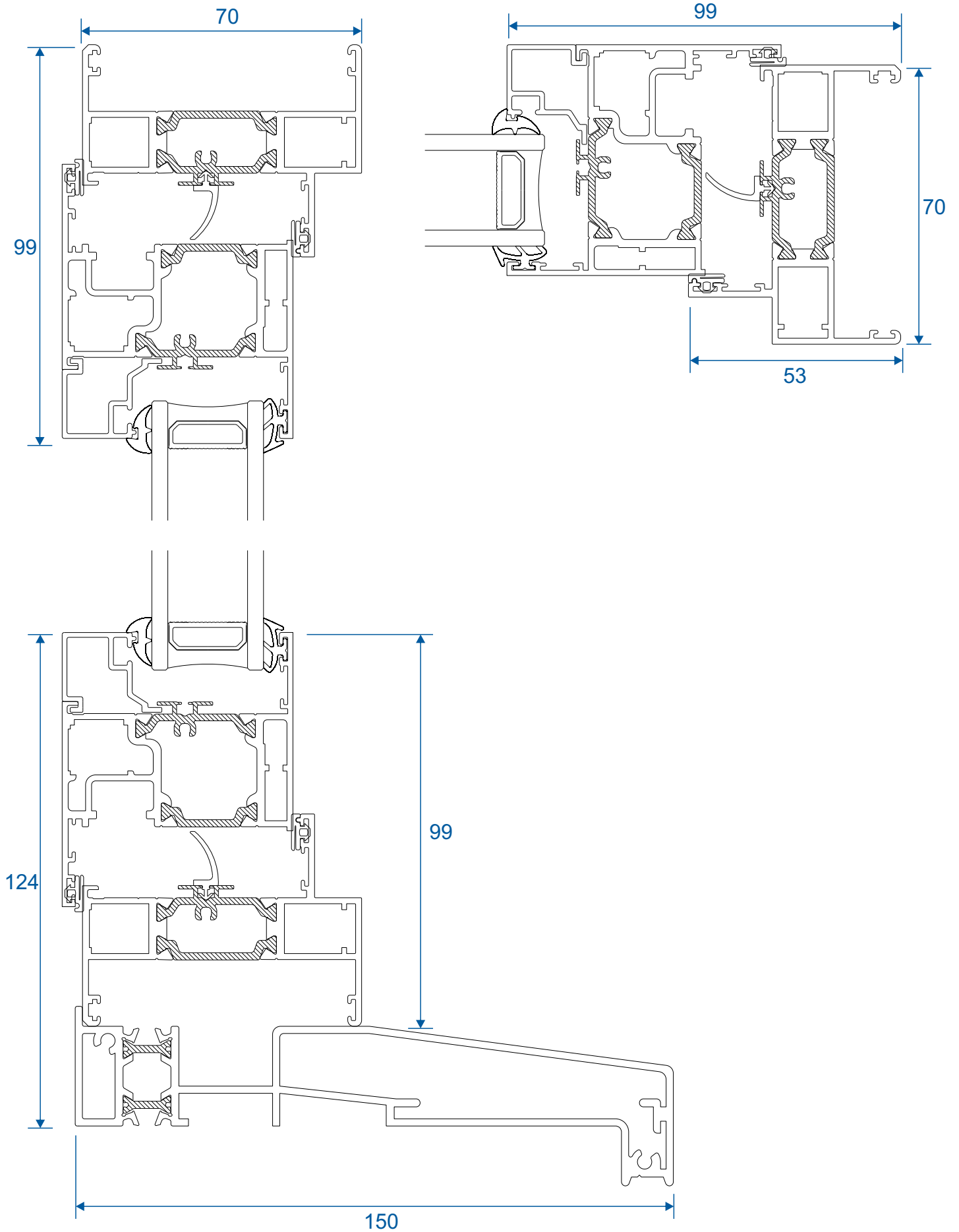
# Using Frame AW605

## Head, Jamb & Cill



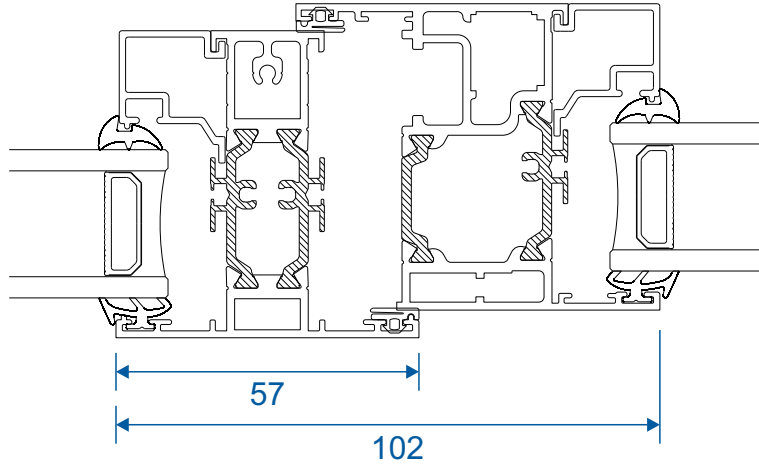
# Using Frame AW622

## Head, Jamb & Cill

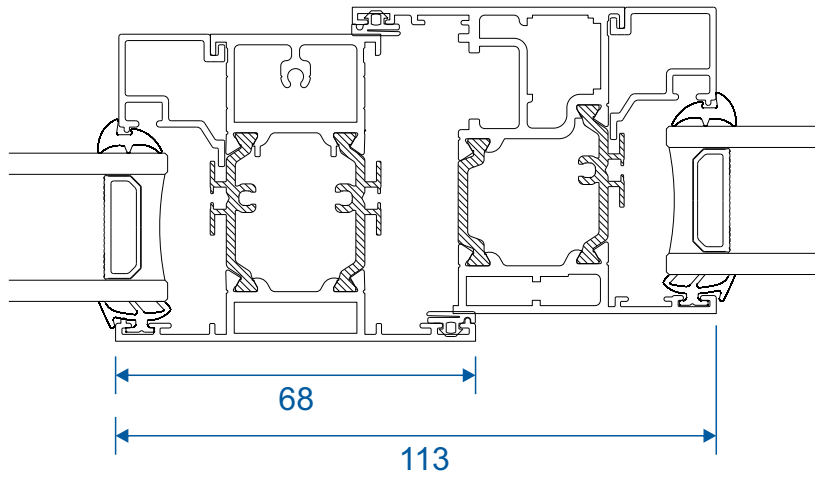


# Fixed Next To Openers

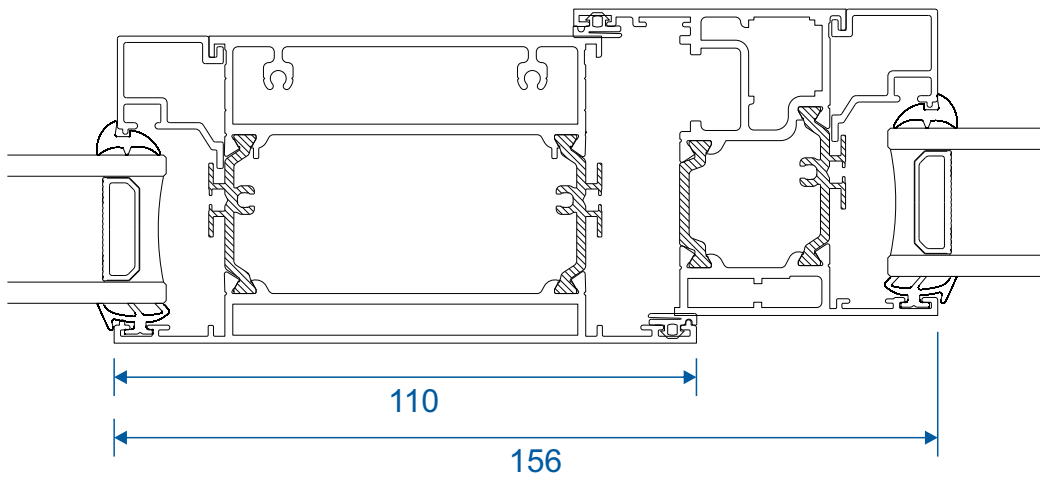
## Using AW632 Transom or Mullion



## Using AW634 Transom or Mullion

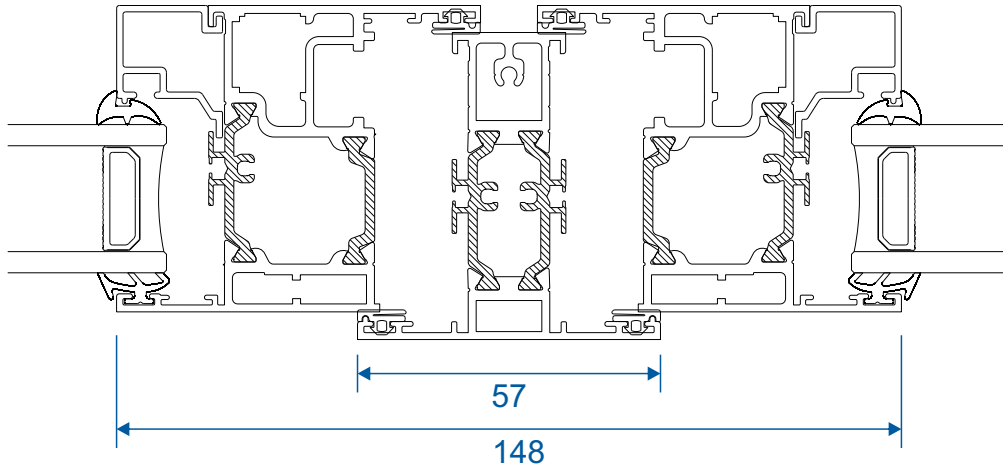


## Using AW635 Transom or Mullion

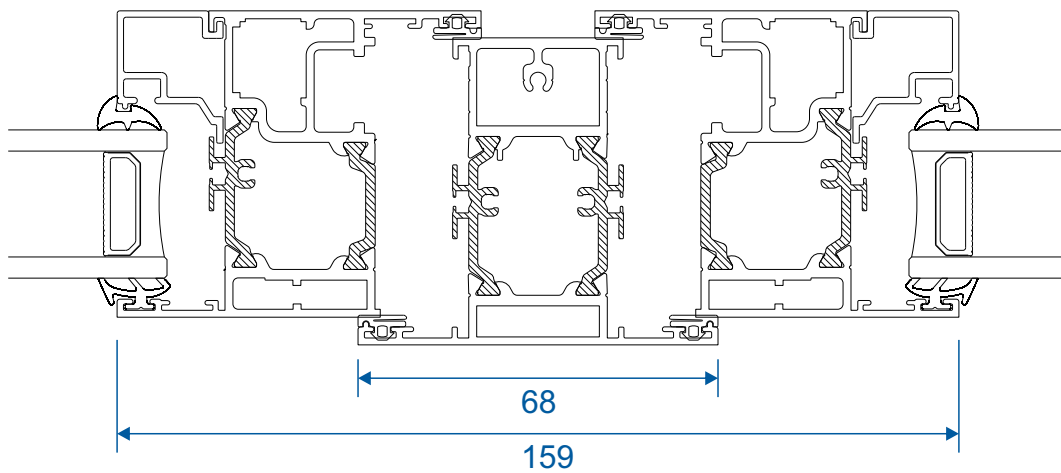


# Opener Next To Opener

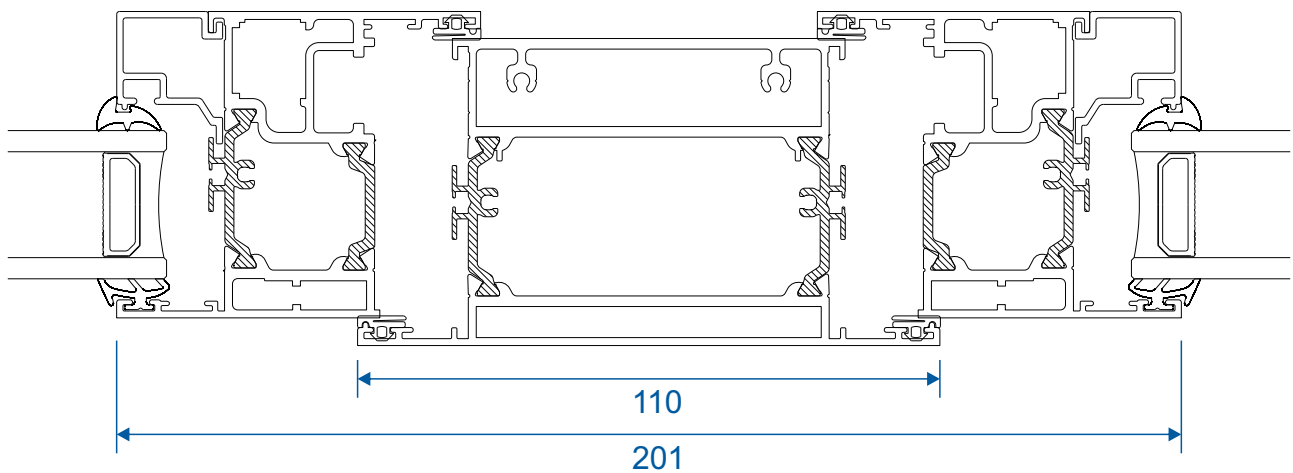
## Using AW632 Transom or Mullion



## Using AW634 Transom or Mullion



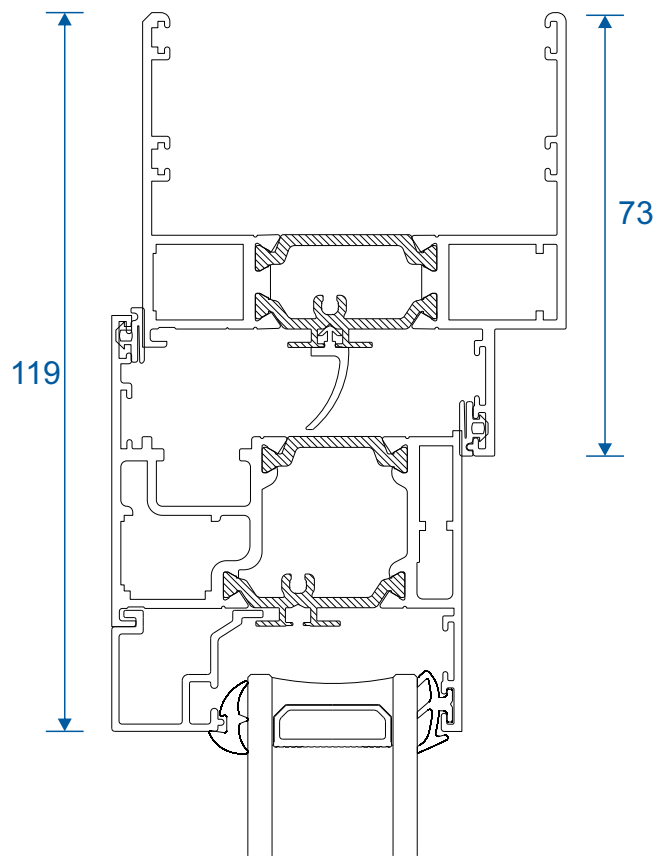
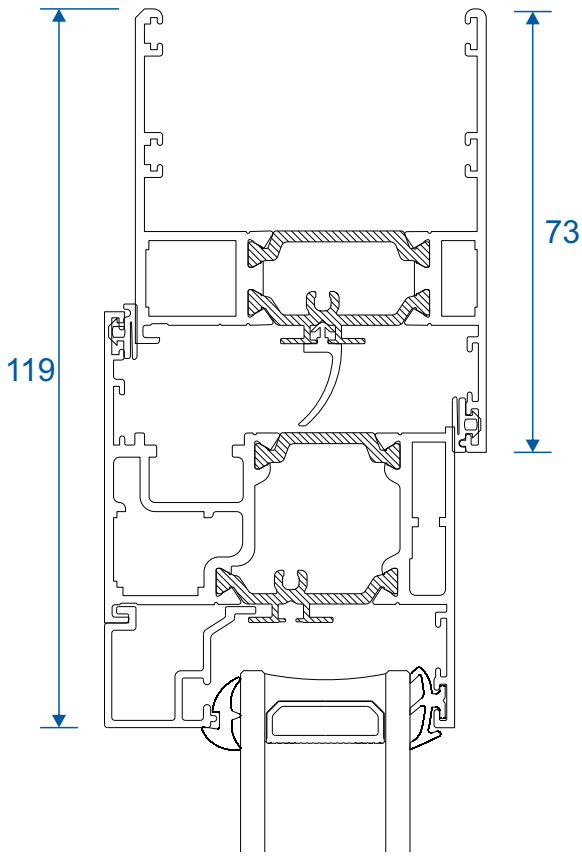
## Using AW635 Transom or Mullion



# Deep Heads

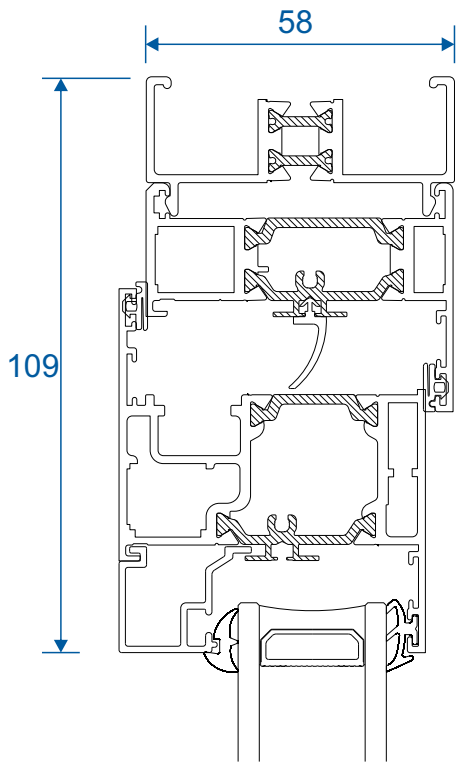
Using AW608

Using AW623

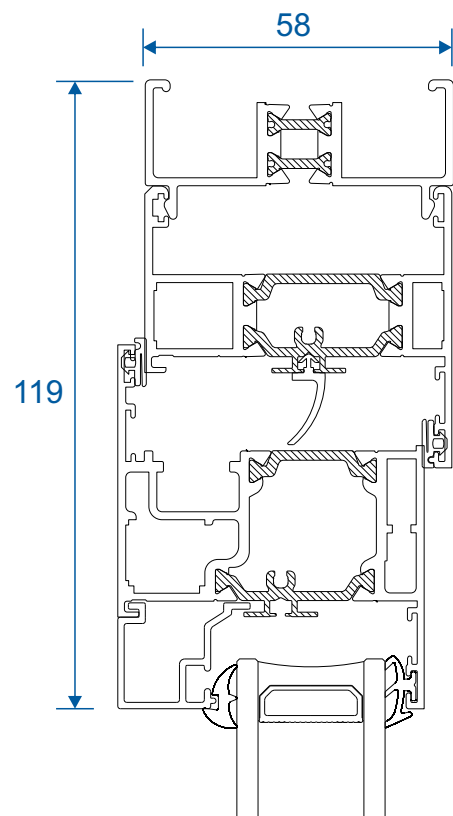


# Extensions

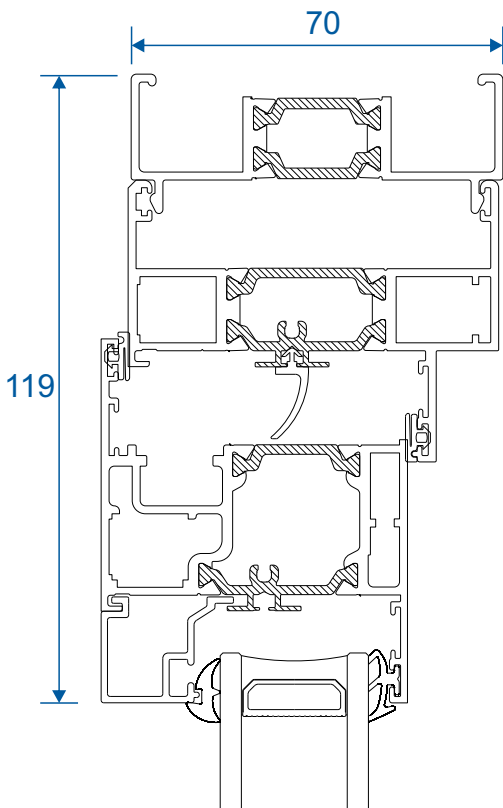
20mm Extension On AW604



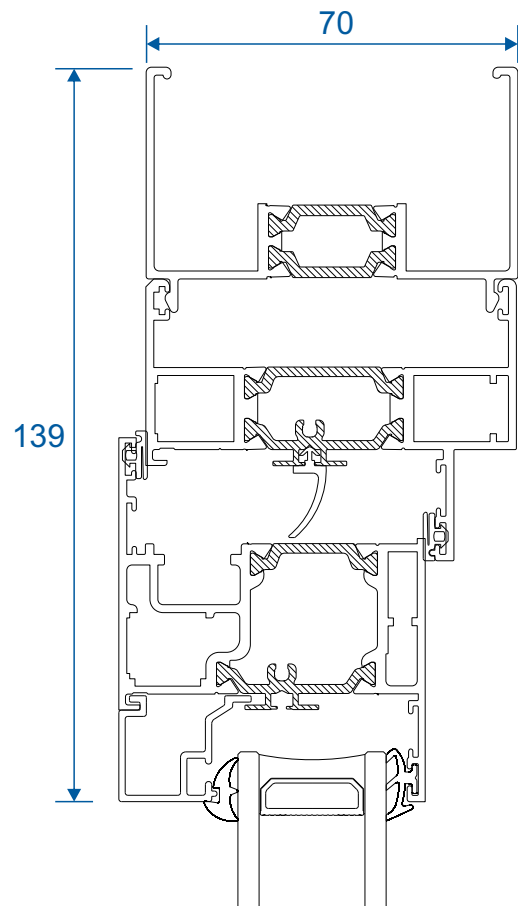
20mm Extension On AW605



20mm Extension On AW622

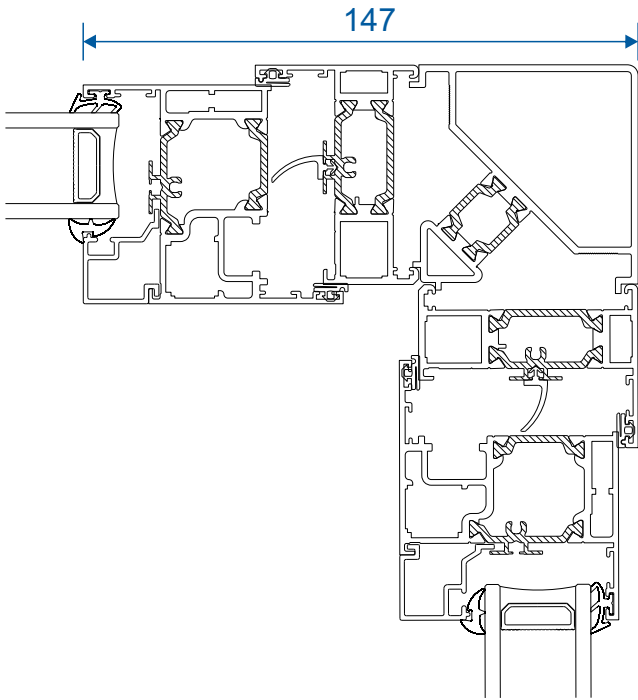


40mm Extension On AW622

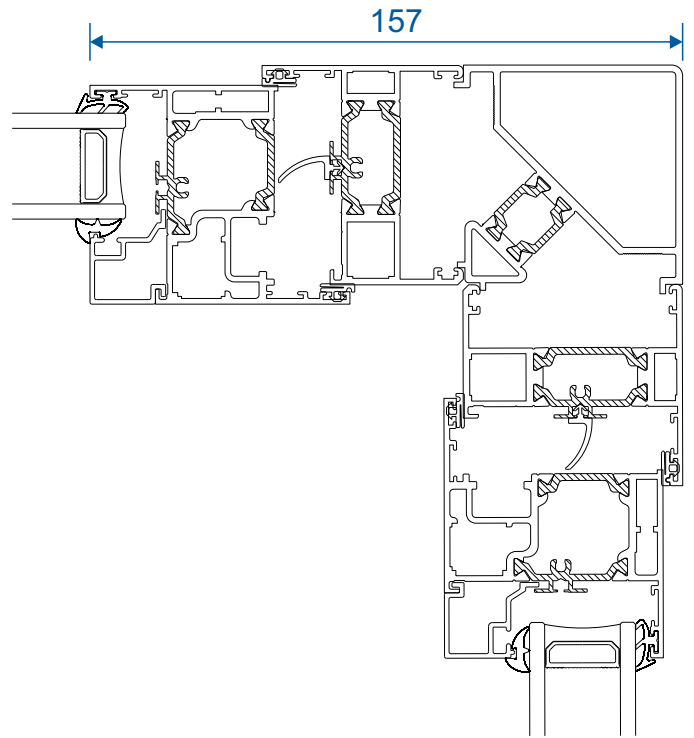


# 90° Corner Posts

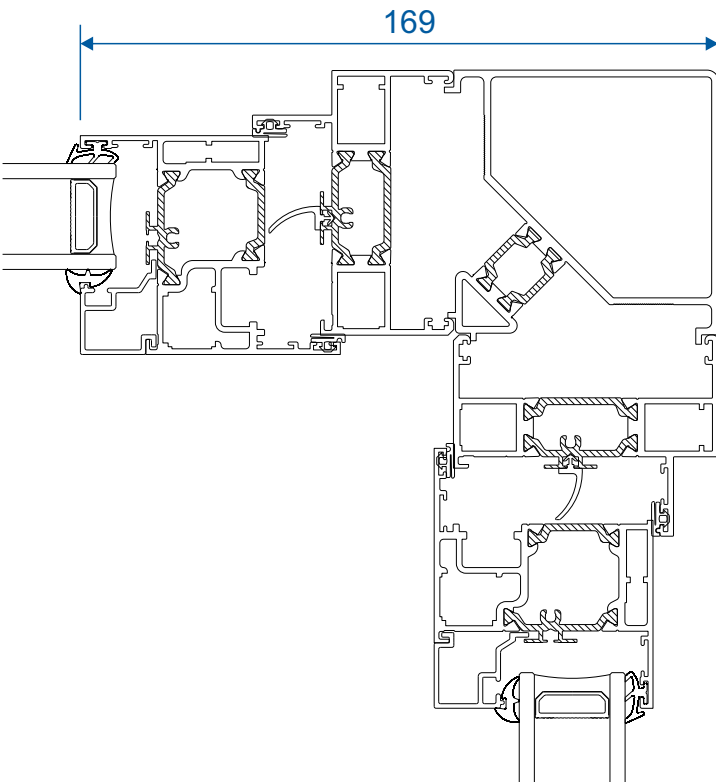
58mm Corner Post With AW604 Frame



58mm Corner Post With AW605 Frame



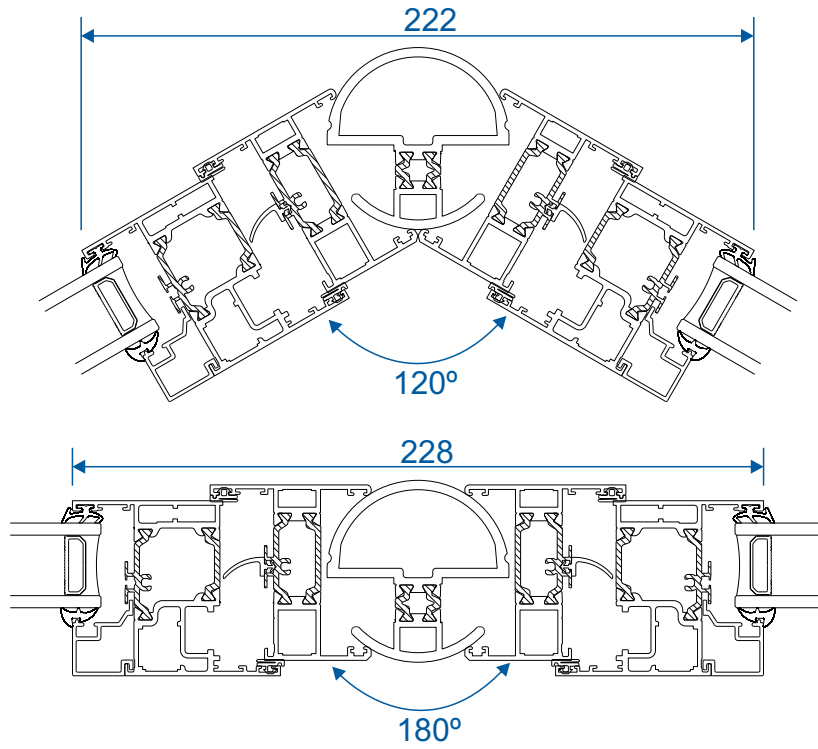
70mm Corner Post With AW622 Frame



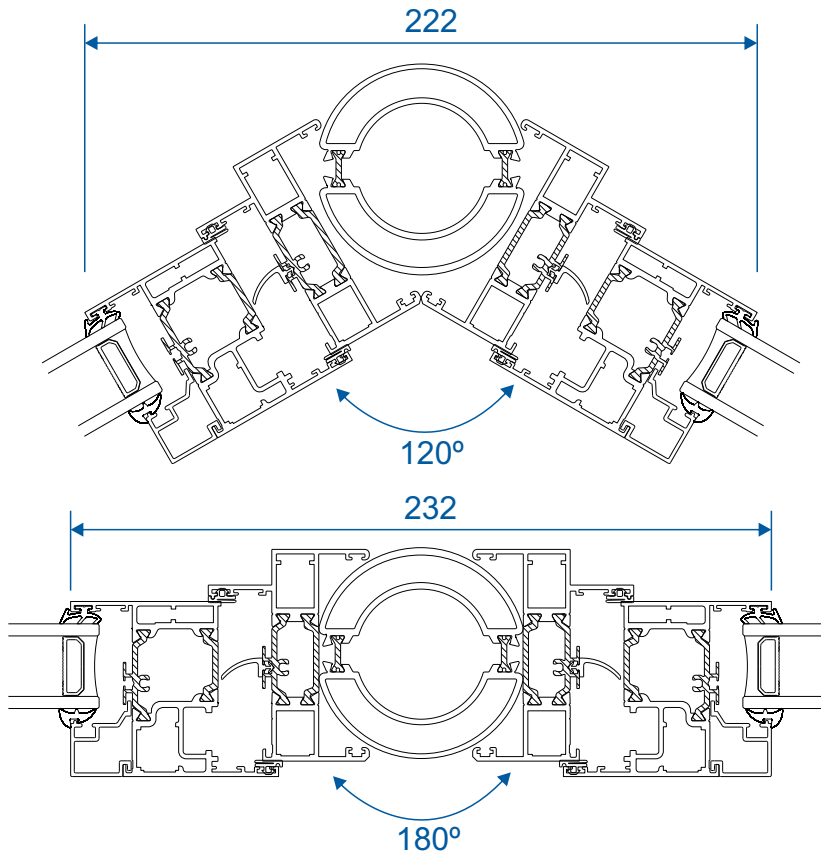


# Circular Poles

## AW712 - 120° to 180° 60mm Circular Pole

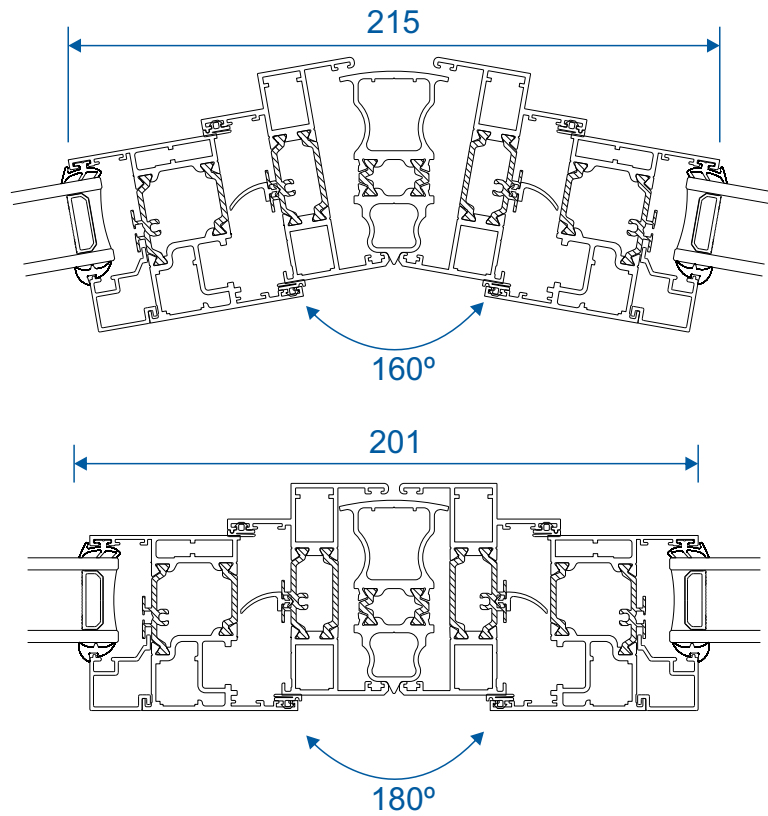


## AW722 - 120° to 180° 70mm Circular Pole

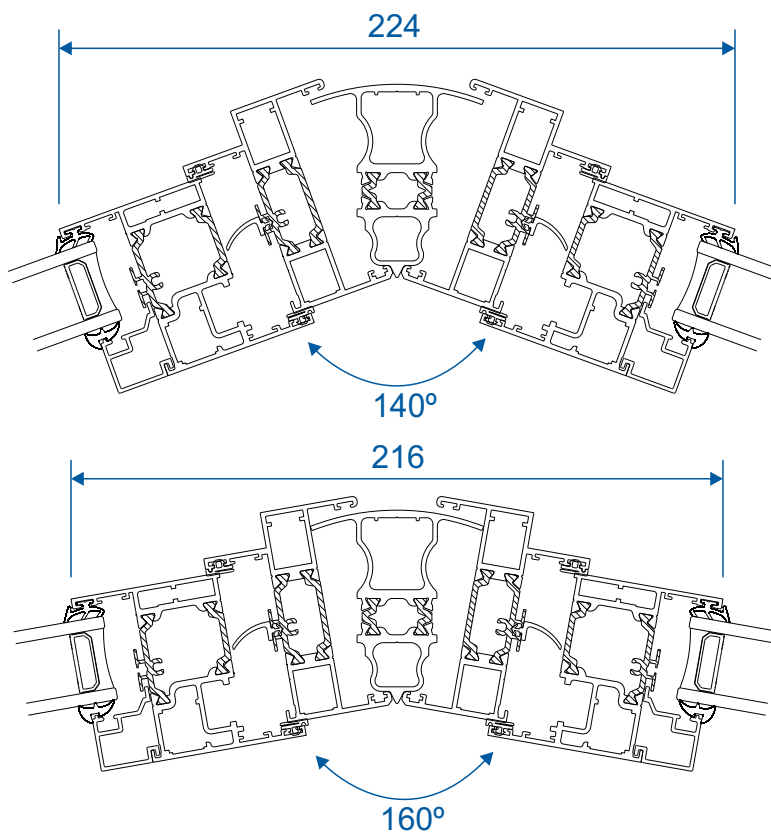


# Bay Poles

## AW718 - 160° to 180° Pole For 70mm Frames

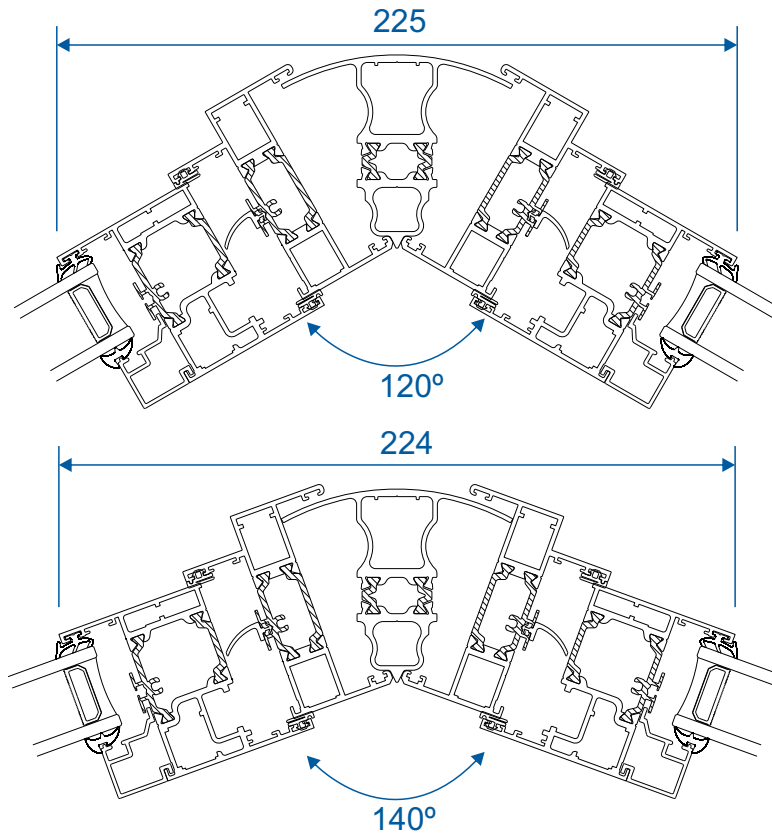


## AW717 - 140° to 160° Pole For 70mm Frames

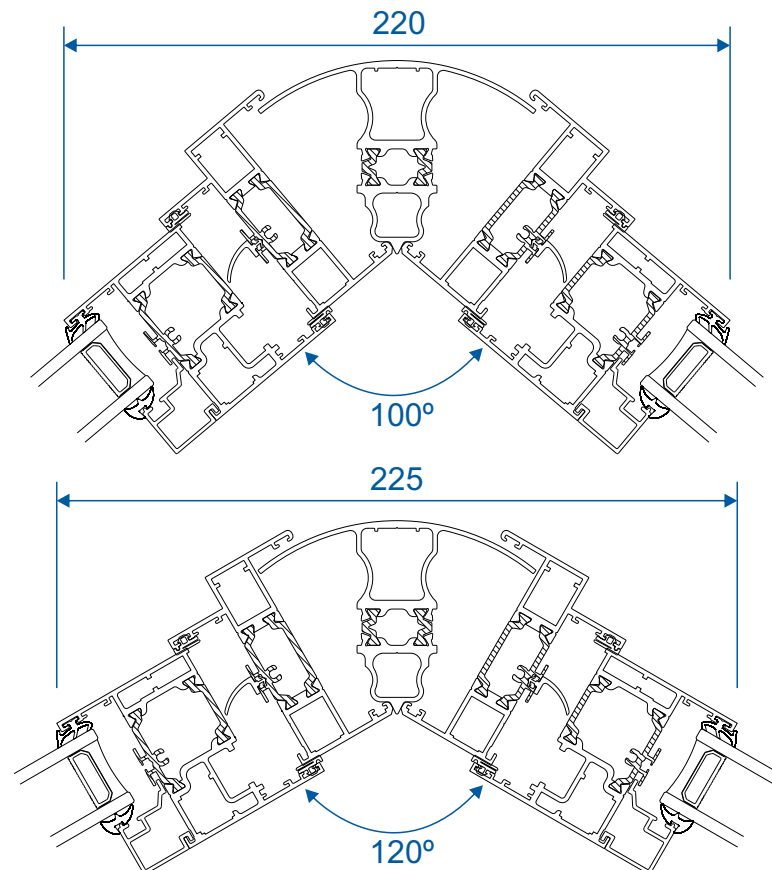


# Bay Poles

## AW716 - 120° to 140° Pole For 70mm Frames

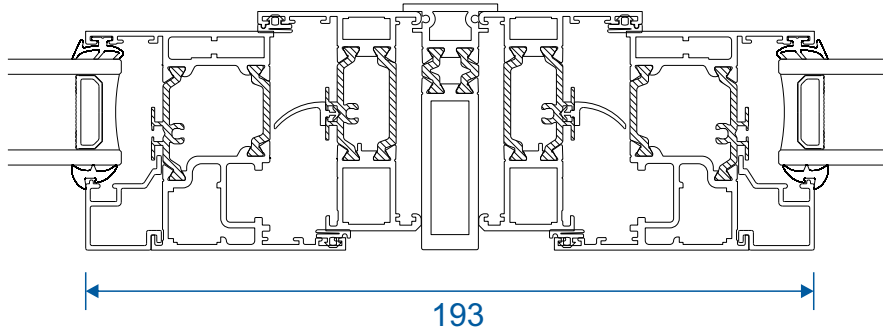


## AW715 - 100° to 120° Pole For 70mm Frames

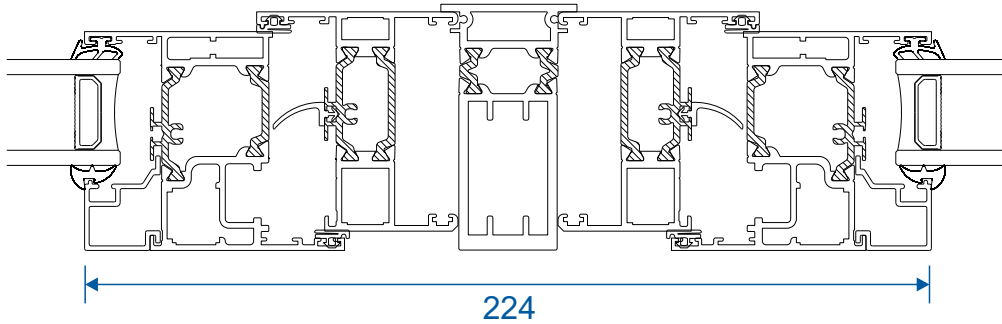


# Couplers

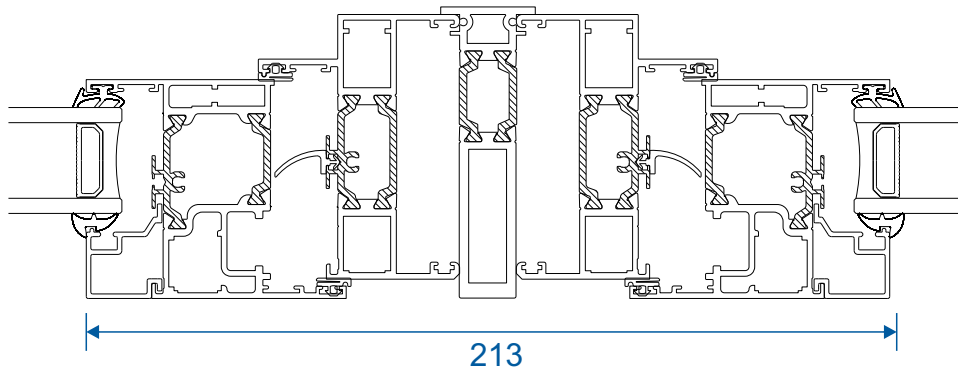
**AW703 - 15mm Coupler For 58mm Frames**



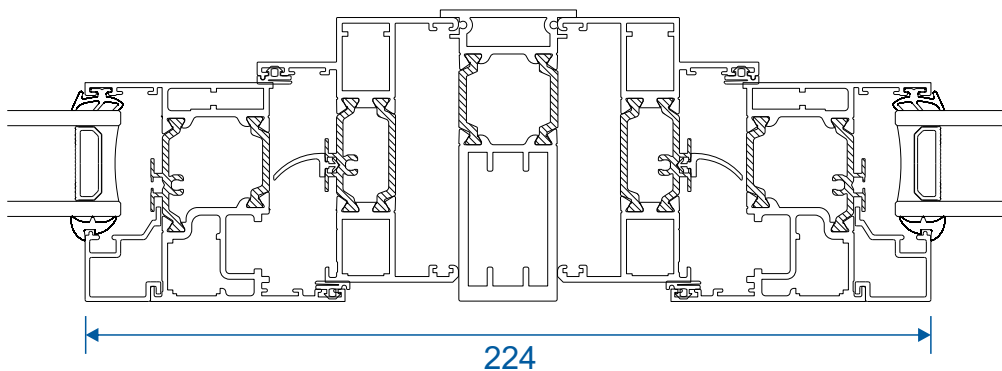
**AW706 - 26mm Coupler For 58mm Frames**



**AW702 - 15mm Coupler For 70mm Frames**

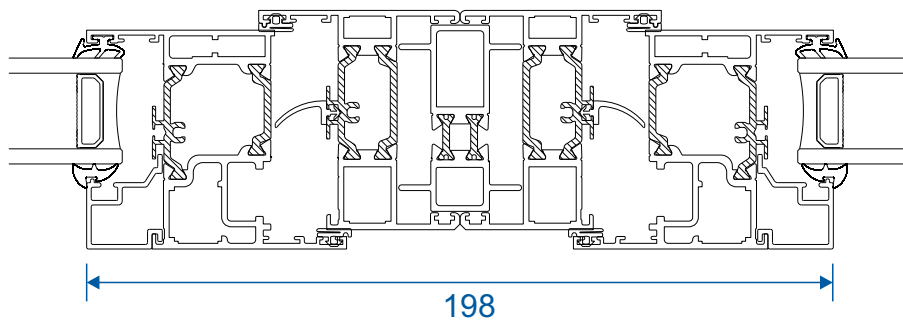


**AW705 - 26mm Coupler For 70mm Frames**

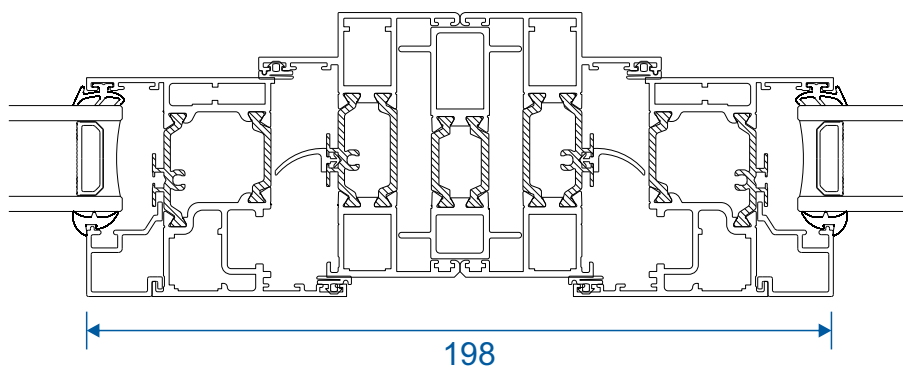


# Hidden Couplers

## AW710 - Hidden Coupler For 58mm Frames



## AW709 - Hidden Coupler For 70mm Frames



Duration Windows  
Thames Development  
Charfleets Road  
Canvey Island  
Essex. SS8 0PQ

[sales@duration.co.uk](mailto:sales@duration.co.uk)  
[www.duration.co.uk](http://www.duration.co.uk)

**Head Office** 01268 681612  
**Showroom** 01268 695100